

Parts Manual

KJ520

Power Broom



Revised 04/04/22
09.20056 Rev. 02



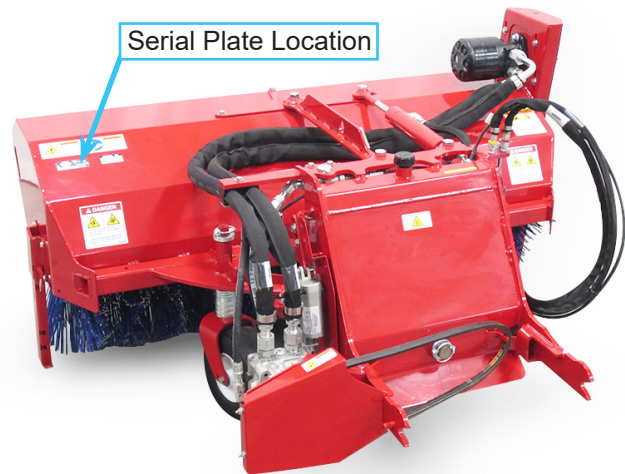
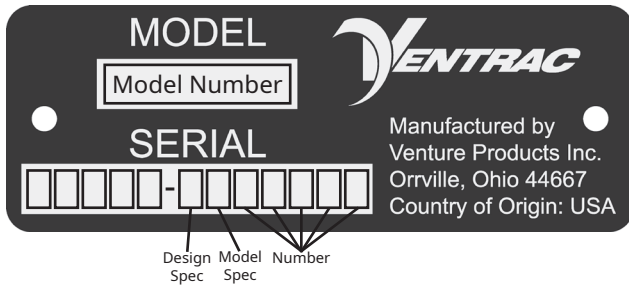
500 Venture Drive
Orrville Oh 44667
www.ventrac.com

View all manuals



Visit ventrac.com/manuals for the latest version of this parts manual. A downloadable operator's manual is also available.

Serial Number Description



Notes

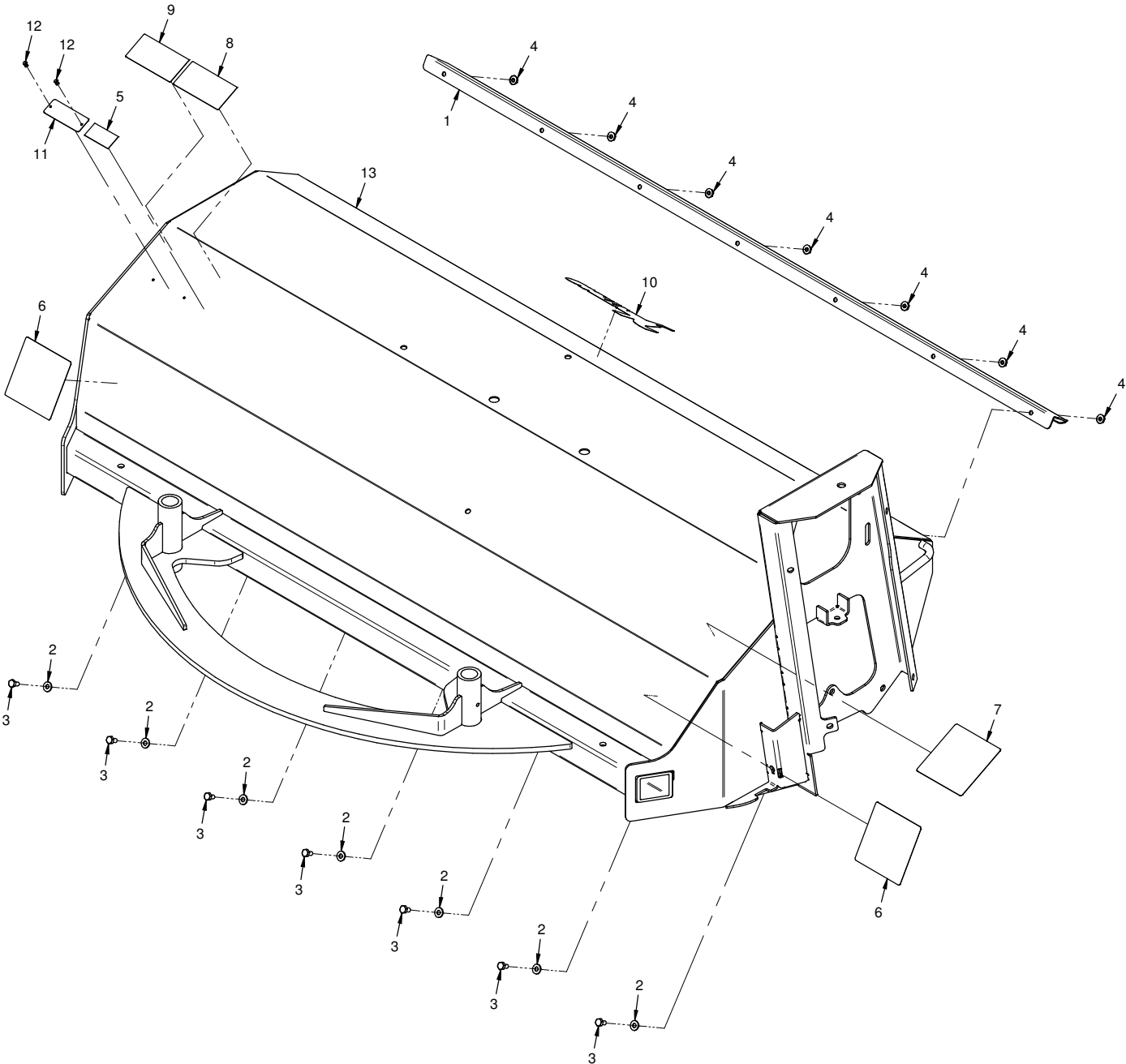
- If any component requires replacement, use only original Ventrac replacement parts.
- When ordering new components, be sure to order all required safety decals. All current safety decals must be affixed to the replacement components prior to installation of the component.

TABLE OF CONTENTS

PARTS	PAGE 4
Brush Shroud Frame & Deflector	4
Wheels & Storage Stands	6
Broom Angle & Pivot	8
Hitch Frame & Pump Mount.....	10
Rotor & Brush Wafers	12
Motor Mount & Rotor Drive	14
Hydraulic Drive Circuit.....	16
70.8211 Optional 12V Actuator	18

PARTS

ILLUSTRATED DRAWING Brush Shroud Frame & Deflector



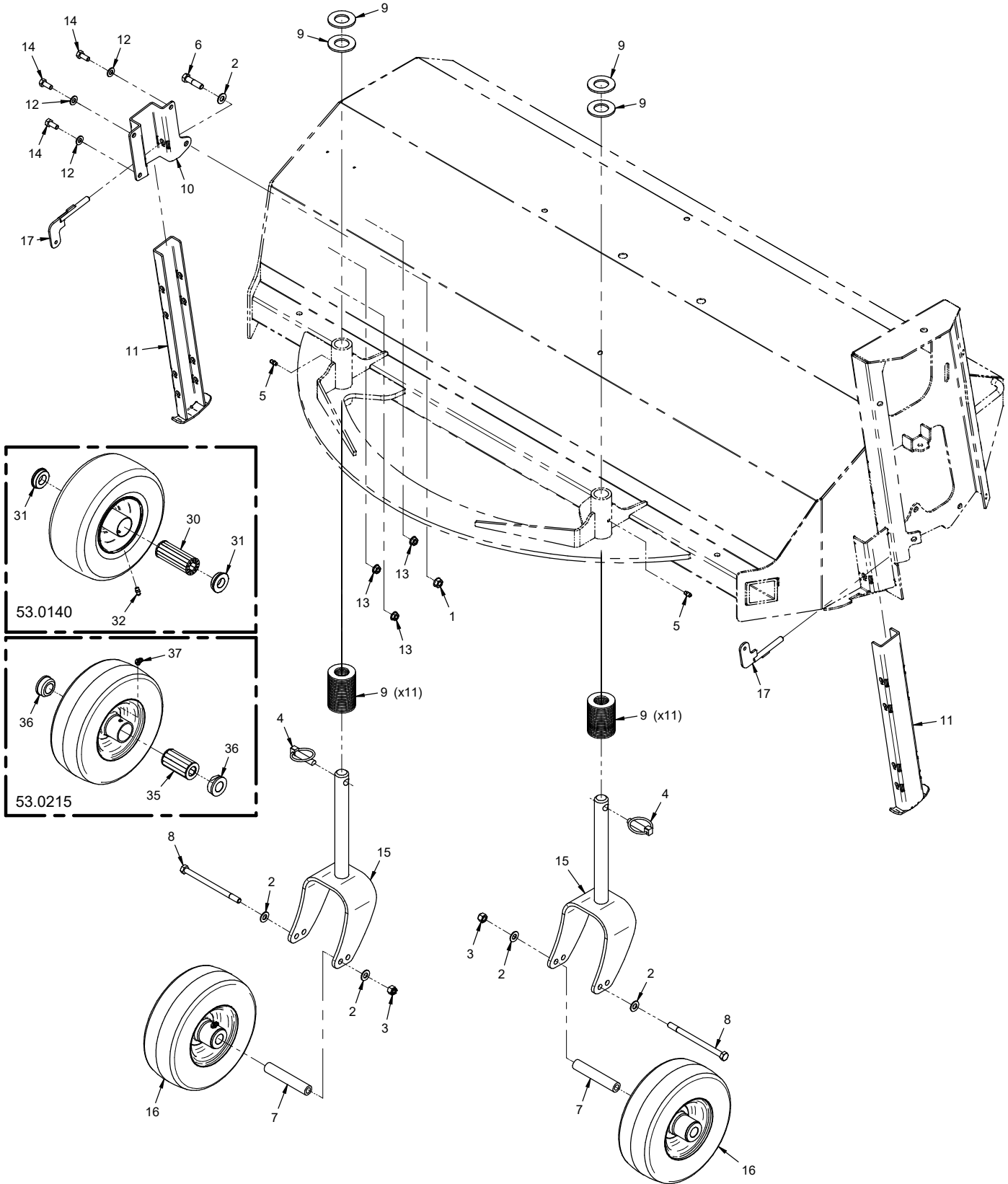
PARTS

Brush Shroud Frame & Deflector

REF.	PART NO.	DESCRIPTION	QTY.
1	KJ-1011	.Deflector, Front	1
2	95.04-3	.Washer, Flat 1/4 SAE SS	7
3	90.0404-3	.Bolt, 1/4-20 USS x 1/2 SS	7
4	99.SF04-3	.Nut, SRF 1/4-20 USS Stainless	7
5	00.0100	.Decal, Made In USA	1
6	00.0102	.Decal, Danger - Pinching Hazard (Serial # 01001-01760)	2
6	00.0620	.Decal, Pinching or Crushing Hazard (Serial # 01761-)	2
7	00.0103	.Decal, Hazard - High Press. Fluid (Serial # 01001-01760)	1
7	00.0621	.Decal, High Pressure Fluid Hazard (Serial # 01761-)	1
8	00.0217	.Decal, Warning Read Owners Man (Serial # 01001-01760)	1
8	00.0619	.Decal, Read Operator's Manual (Serial # 01761-)	1
9	00.0220	.Decal, General Safety (Serial # 01001-01760)	1
9	00.0632	.Decal, Moving Parts Hazard (Serial # 01761-)	1
10	00.0383	.Decal, Ventrac	1
11	N/A	.Plate, Ventrac Serial Number	1
12	04.0029	.Rivet, Pop 1/8" X 1/4" SS	2
13	KJ-6014	.Frame, Brush Shroud	1

PARTS

ILLUSTRATED DRAWING Wheels & Storage Stands



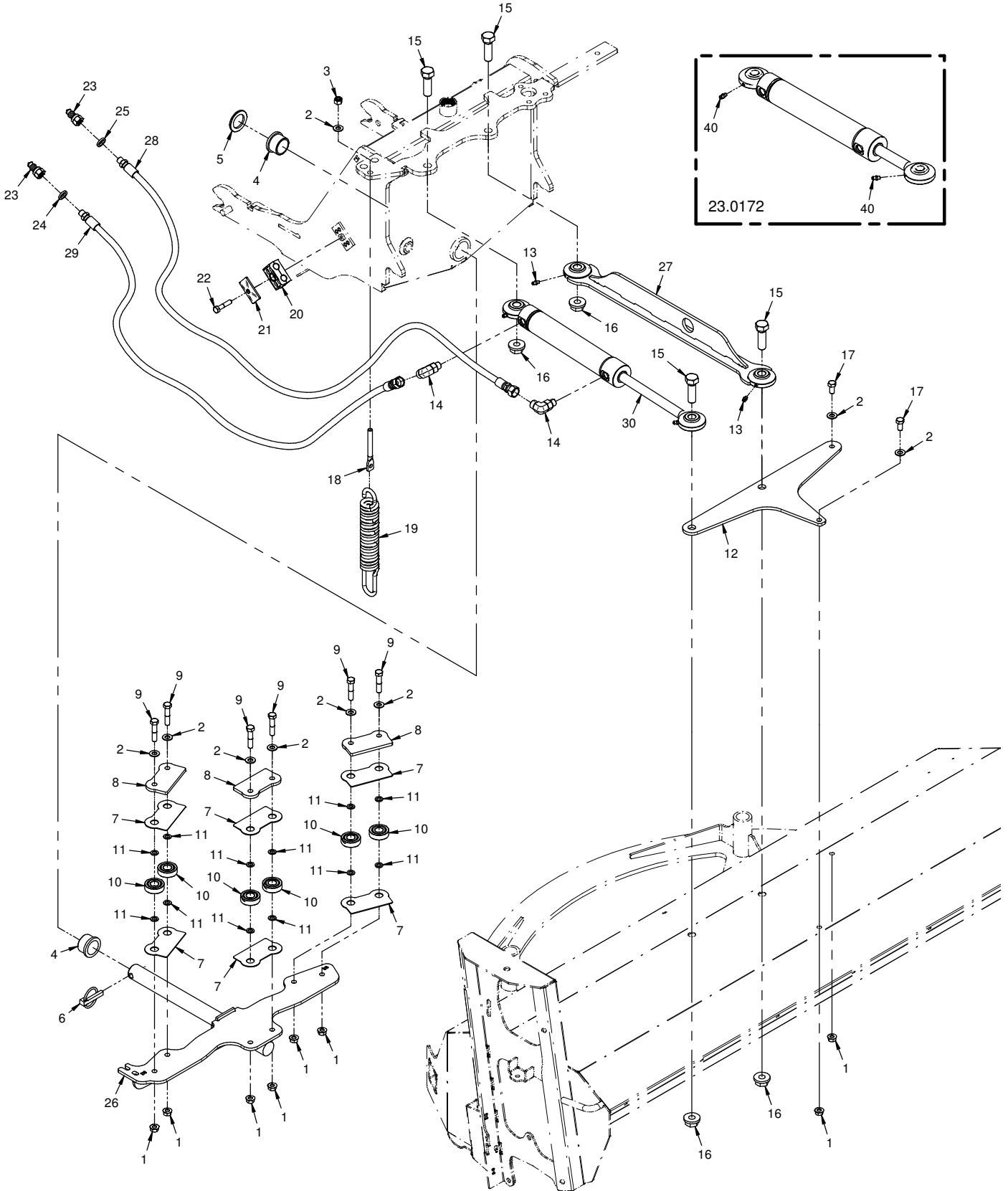
PARTS

Wheels & Storage Stands

REF.	PART NO.	DESCRIPTION	QTY.
1	99.SF06-3	.Nut, SRF 3/8-16 USS Stainless	1
2	95.06-3	.Washer, Flat 3/8 SAE SS	5
3	99.A06N-3	.Locknut, Nylon 3/8-16 SS	2
4	03.0005	.Pin, Linch	2
5	29.GF0001	.Grease Ftg, 1/4 SAE ST	2
6	90.0612-3	.Bolt, 3/8-16 USS x 1-1/2 SS	1
7	50.0055	.Tube, Axle-Wheel LM	2
8	90.0644-3	.Bolt, 3/8-16 USS x 5-1/2 SS	2
9	95.16	.Washer, Flat 1 SAE	48
10	KJ-1057	.Bracket, Left Storage Stand	1
11	KJ-1066	.Stand, Storage	2
12	95.05-3	.Washer, Flat 5/16 SAE SS	3
13	99.SF05-3	.Nut, SRF 5/16-18 USS Stainless	3
14	90.0506-3	.Bolt, 5/16-18 USS x 3/4 SS	3
15	KJ-6011	.Spindle, Wheel Swivel	2
16	53.0140	.Wheel, Asm 9 x 3.5 x4 Flatfree (Serial # 01001-01688)	2
16	53.0215	.Wheel, Asm 9 x 3.5 x4 Flatfree (Serial # 01689-)	1
17	KJ-6022	.Pin, Jack Stand	2
30	55.0071	.Bearing, Roller 3.25" Long	1
31	55.0072	.Bearing, Retainer 3/4"	2
32	29.GF0001	.Grease Ftg, 1/4 SAE ST	1
35	55.0115	.Bearing, Roller 2.50" Long	1
36	55.0114	.Retainer, Roller Bearing 3/4"	2
37	29.GF0003	.Grease Ftg, 1/4 SAE 45	1

PARTS

ILLUSTRATED DRAWING Broom Angle & Pivot



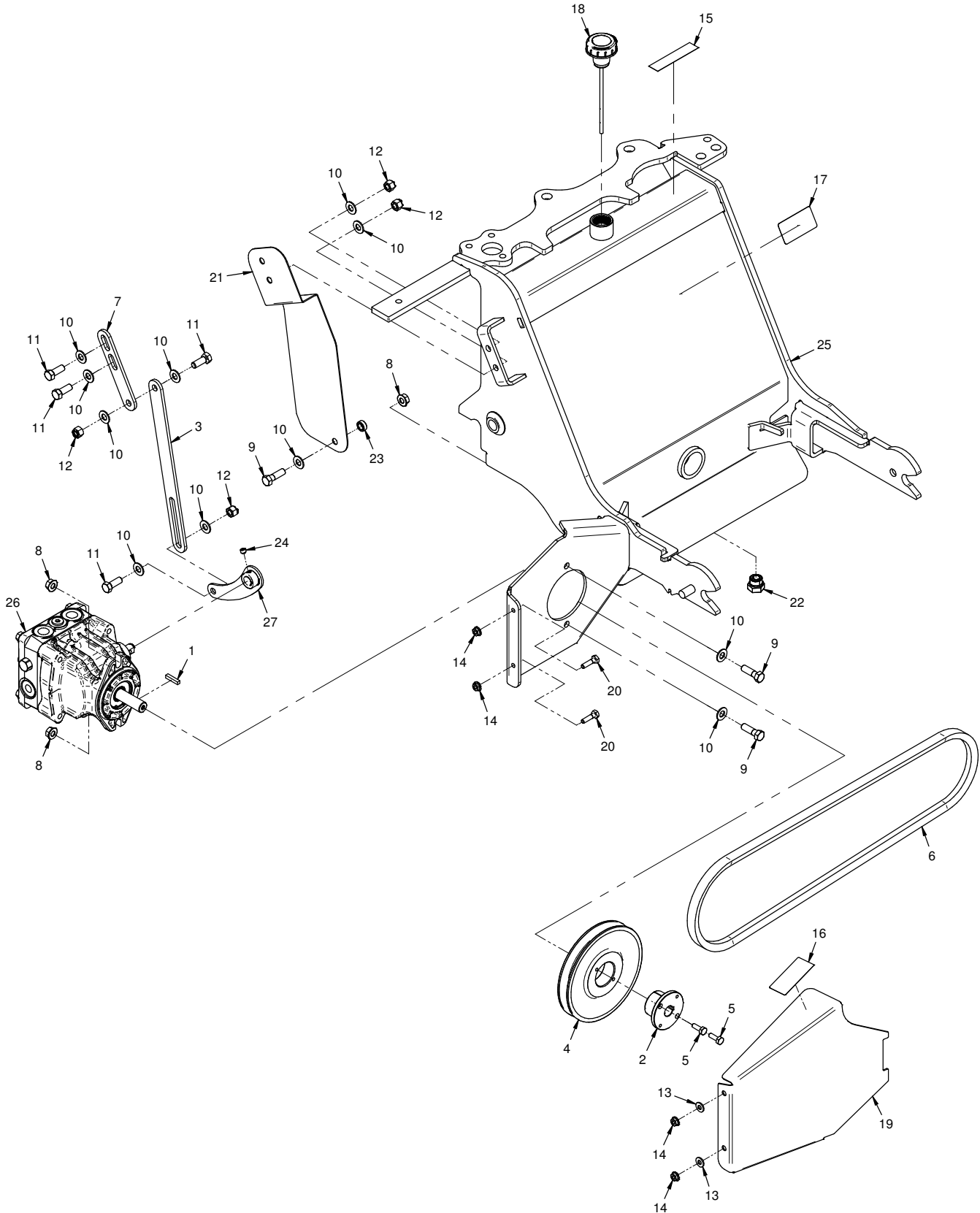
PARTS

Broom Angle & Pivot

REF.	PART NO.	DESCRIPTION	QTY.
1	99.SF06-3	.Nut, SRF 3/8-16 USS Stainless	8
2	95.06-3	.Washer, Flat 3/8 SAE SS	9
3	99.A06N-3	.Locknut, Nylon 3/8-16 SS	1
4	85.B0060	.Bushing, 1-1/4 ID x 1-1/2 OD 1	2
5	99.B0024-2	.Washer, Mach 1-1/4 x 1-7/8 10 GA	1
6	03.0005	.Pin, Linch	1
7	NJ-1009	.Slide, Broom Pivot	6
8	NJ-1003	.Clamp, Broom Pivot Guide	3
9	90.0614-3	.Bolt, 3/8-16 USS x 1-3/4 SS	6
10	55.0103	.Bearing, Ball .375" ID x 40mm OD	6
11	99.B0125	.Shim, .375 ID x .625 OD x .090T SS	12
12	KJ-1114	.Plate, Pivot Reinforcement	1
13	29.GF0001	.Grease Ftg, 1/4 SAE ST	2
14	25.FF6801-06-06-CP	.Fitting, 90 Elbow - 6MFF X 6MB	2
15	90.1016	.Bolt, 5/8-11 USS x 2	4
16	99.E0094	.Locknut, 5/8-11 Flanged Stover	4
17	90.0606-3	.Bolt, 3/8-16 USS x 3/4SS	2
18	99.K0094	.Bolt, Hanger 3/8-16 X 4	1
19	41.0128	.Spring, Ext. 1.5 OD x 9.925 L	1
20	44.0256	.Clamp, HYD Hose 12.7MM ID GRN	1
21	44.0229	.Cover Plate, 2D Group	1
22	90.0512-3	.Bolt, 5/16-18 USS x 1-1/2 SS	1
23	23.0104	.Coupler, Quick Male 1/4	2
24	05.0116	.Washer, .544 ID x .817 x .14 Red	1
25	05.0117	.Washer, .544 ID x .817 x .14 Yel	1
26	KJ-6016	.Frame, Broom Pivot	1
27	KJ-6007	.Link, Swivel Upper Pivot	1
28	20.0366	.Hose, 1/4x59.00 SAE 100R17AR	1
29	20.0367	.Hose, 1/4x48.00 SAE 100R17AR	1
30	23.0172	.Cylinder, 1-1/2" X 8"	1
40	29.GF0001	.Grease Ftg, 1/4 SAE ST	2

PARTS

ILLUSTRATED DRAWING Hitch Frame & Pump Mount



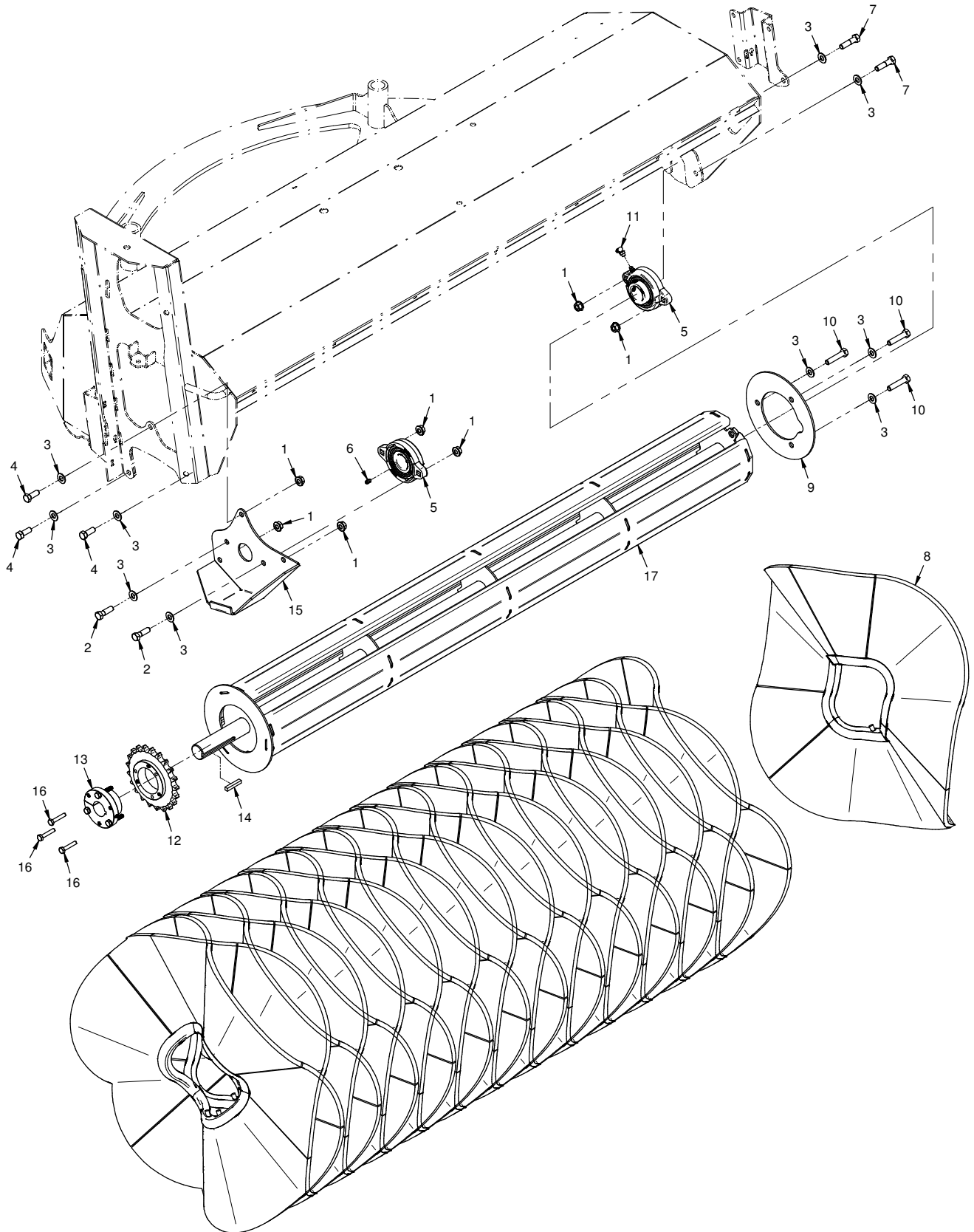
PARTS

Hitch Frame & Pump Mount

REF.	PART NO.	DESCRIPTION	QTY.
1	85.K508	.Key, 5mm Sq x 1"	1
2	83.H17M	.Bushing, 17mm H.	1
3	KJ-1150	.Link, Manual Pump Control	1
4	83.BK65H	.Pulley, 6.5" H-Bushing	1
5	90.0406	.Bolt, 1/4-20 USS x 3/4"	2
6	81.B051	.Belt, B51	1
7	KJ-1113	.Mount, Pump Actuator Link	1
8	99.SF06-3	.Nut, SRF 3/8-16 USS Stainless	3
9	90.0610-3	.Bolt, 3/8-16 USS x 1-1/4 SS	3
10	95.06-3	.Washer, Flat 3/8 SAE SS	11
11	90.0608-3	.Bolt, 3/8-16 USS x 1 SS	4
12	99.A06N-3	.Locknut, Nylon 3/8-16 SS	4
13	95.04-3	.Washer, Flat 1/4 SAE SS	2
14	99.SF04-3	.Nut, SRF 1/4-20 USS Stainless	4
15	00.0148	.Decal, Hyd. Oil 3-7/16 x 3/4	1
16	00.0216	.Decal, Warning Moving Parts (Serial # 01001-01760)	1
16	00.0631	.Decal, Finger/Hand Entanglement (Serial # 01761-)	1
17	00.0374	.Decal, Hot Surface	1
18	23.0175	.Dipstick, Asm 5-1/4	1
19	KJ-1119	.Shield, Drive Pulley	1
20	90.0408-3	.Bolt, 1/4-20 USS x 1 SS	2
21	KJ-1120	.Shield, Actuator Heat	1
22	25.6408-08-CP	.Fitting, Plug 8MB	1
23	64.0602	.Bushing, 3/8 x 5/8 x .265	1
24	85.SS31	.Set Screw, 5/16-24 x 3/8" SS	1
25	KJ-6013	.Frame, Hitch / Hyd Tank Main	1
26	21.0145	.Pump, Hyd. Hydrogear	1
27	KJ-6017	.Lever, Pump Control	1

PARTS

ILLUSTRATED DRAWING Rotor & Brush Wafers



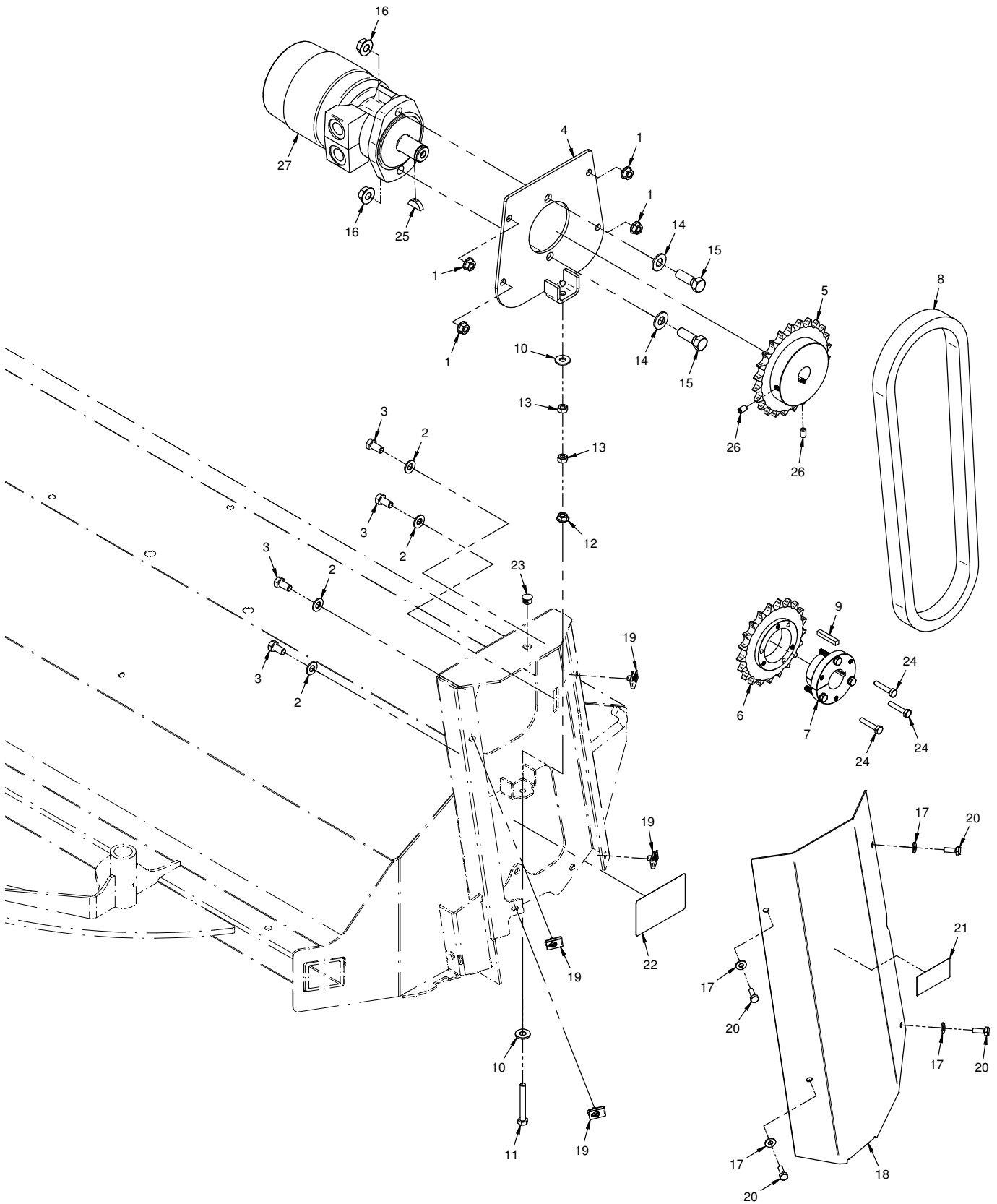
PARTS

Rotor & Brush Wafers

REF.	PART NO.	DESCRIPTION	QTY.
1	99.SF06-3	Nut, SRF 3/8-16 USS Stainless	7
2	90.0610-3	Bolt, 3/8-16 USS x 1-1/4 SS	2
3	95.06-3	Washer, Flat 3/8 SAE SS	10
4	90.0608-3	Bolt, 3/8-16 USS x 1 SS	3
5	55.FB16020	Bearing, Flange Block 1-1/4"	2
6	29.GF0001	Grease Ftg, 1/4 SAE ST	1
7	90.0612-3	Bolt, 3/8-16 USS x 1-1/2 SS	2
8	79.0118	Brush, Wafer 24" Poly	26
9	KJ-1064	Clamp, Brush Wafer	1
10	90.0614-23	Bolt, 3/8-16 x 1-3/4 All Thrd SS	3
11	29.GF0002	Grease Ftg, 1/4 SAE 90	1
12	83.60SDS21	Sprocket, #60 21-T SDS Bushing	1
13	83.SDS20	Bushing, 1 1/4" SDS	1
14	85.K0412	Key, 1/4 X 1-1/2	1
15	KJ-1055	Cover, Brush Drive Bottom	1
16	90.0411-2	Bolt, 1/4-20 x 1-3/8" Tap	3
17	KJ-6006	Frame, Brush Rotor	1

PARTS

ILLUSTRATED DRAWING Motor Mount & Rotor Drive



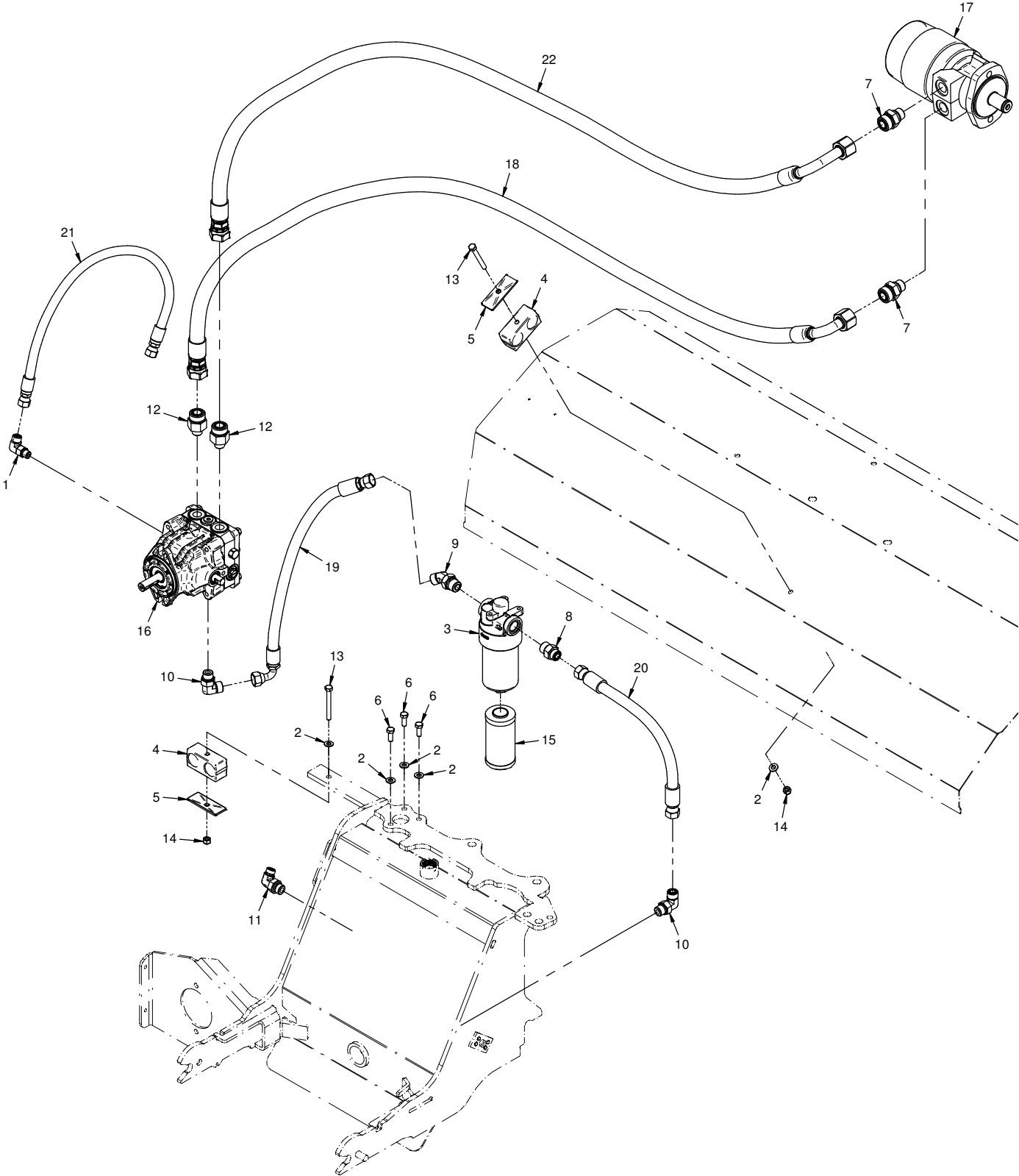
PARTS

Motor Mount & Rotor Drive

REF.	PART NO.	DESCRIPTION	QTY.
1	99.SF06-3	Nut, SRF 3/8-16 USS Stainless	4
2	95.06-3	Washer, Flat 3/8 SAE SS	4
3	90.0606-3	Bolt, 3/8-16 USS x 3/4SS	4
4	KJ-1036	Plate, Motor Mount	1
5	83.602416	Sprocket, #60 24-T 1" Bore	1
6	83.60SDS21	Sprocket, #60 21-T SDS Bushing	1
7	83.SDS20	Bushing, 1 1/4" SDS	1
8	81.0182	Chain, Roller #60 x 48"	1
9	85.K0412	Key, 1/4 X 1-1/2	1
10	94.05	Washer, Flat 5/16 USS	2
11	90.0520-2	Bolt, 5/16-18 x 2-1/2" All Thread	1
12	99.SF05	Nut, SRF 5/16-18 USS	1
13	92.05	Nut, 5/16-18 USS	2
14	95.08	Washer, Flat 1/2 SAE	2
15	90.0812	Bolt, 1/2-13 USS x 1-1/2	2
16	99.SF08	Nut, SRF 1/2-13 USS	2
17	95.04-3	Washer, Flat 1/4 SAE SS	4
18	KJ-1010	Cover, Brush Drive	1
19	99.E0046	Nut, "U" 1/4-20 Extruded	4
20	90.0406-3	Bolt, 1/4-20 USS x 3/4 SS	4
21	00.0216	Decal, Warning Moving Parts (Serial # 01001-01760)	1
21	00.0631	Decal, Finger/Hand Entanglement (Serial # 01761-)	1
22	00.0492	Decal, Shield Missing (Serial # 01001-01760)	1
22	00.0625	Decal, Shield Missing (Serial # 01761-)	1
23	05.0070	Plug, 1/2" Hole, Nylon	1
24	90.0411-2	Bolt, 1/4-20 x 1-3/8" Tap	3
25	85.W0408	Key, Woodruff 1/4 x 1	1
26	85.SS16	Set Screw, 5/16-18 x 1/2	2
27	21.0146	Motor, Hyd. Parker	1

PARTS

ILLUSTRATED DRAWING Hydraulic Drive Circuit



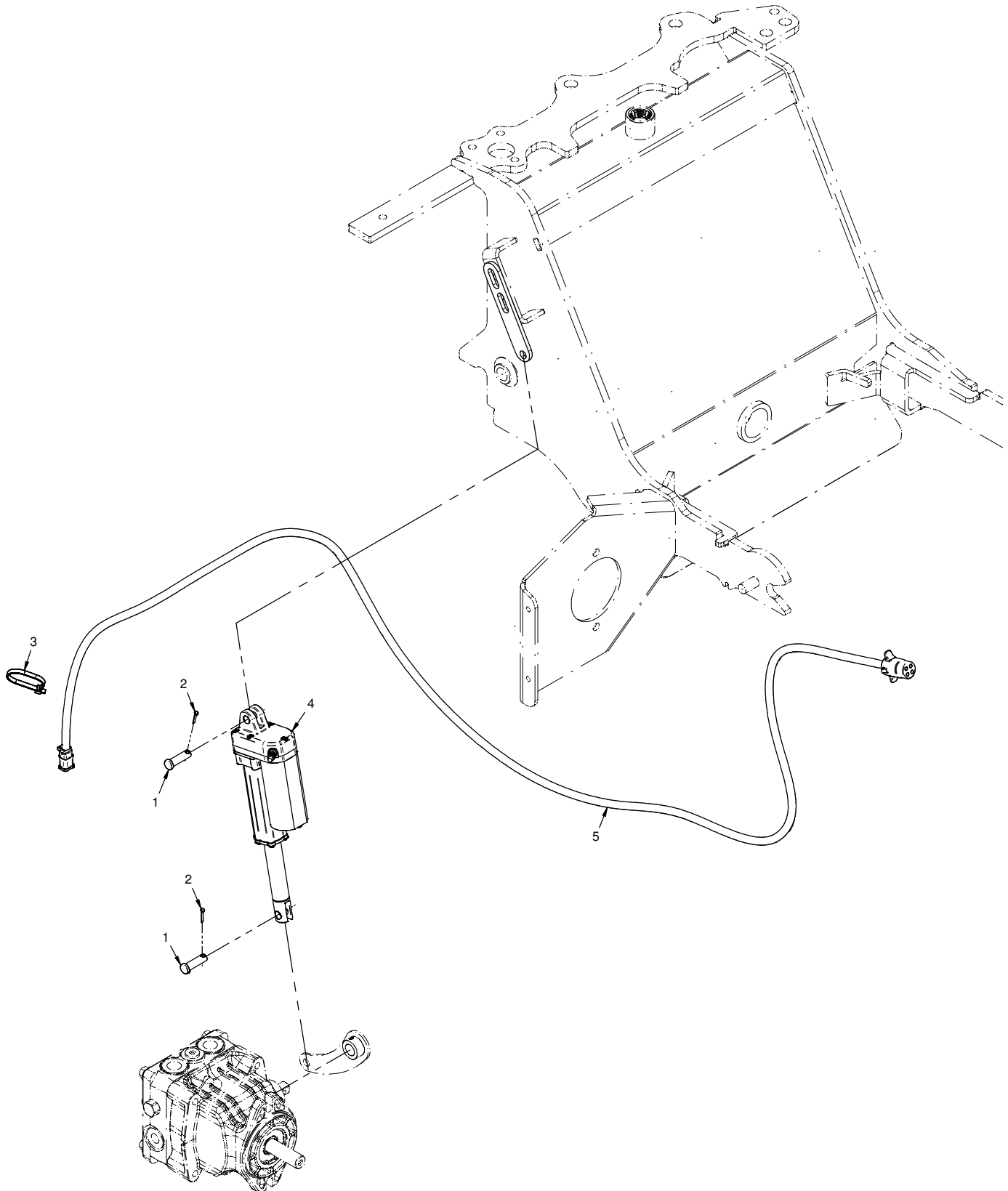
PARTS

Hydraulic Drive Circuit

REF.	PART NO.	DESCRIPTION	QTY.
1	25.FF6801-06-06-CP	.Fitting, 90 Elbow - 6MFF X 6MB.	1
2	95.05-3	.Washer, Flat 5/16 SAE SS	5
3	21.0137	.Filter, HYD ASM 25 Micron	1
4	44.0411	.Clamp, Hyd Hose 28mm ID (2)	2
5	44.0412	.Cover Plate, Group 4D (2)	2
6	99.M0066	.Bolt, M8 x 1.25 x 22MM SS	3
7	25.FF6400-12-10-CP	.Fitting, Connector -12MFF x -10MB	2
8	25.FF6400-08-10-CP	.Fitting, Connector 8MFF x 10MB	1
9	25.FF6802-08-10-CP	.Fitting, 45 Elbow -08MFF x -10MB	1
10	25.FF6801-08-08-CP	.Fitting, 90 Elbow 8MFF x 8MB	2
11	25.FF6801-06-08-CP	.Fitting, 90 Elbow 06MFF x 08MB	1
12	25.FF6400-12-08-CP	.Fitting, Connector -12MFF x -08MB	2
13	90.0522-3	.Bolt, 5/16-18 USS x 2-3/4 SS	2
14	99.A05N-3	.Locknut, Nylon 5/16-18 SS	2
15	21.0138	.Filter, Hyd Element 25 Micron	1
16	21.0145	.Pump, Hyd. Hydrogear	1
17	21.0146	.Motor, Hyd. Parker	1
18	20.0365	.Hose, 3/4x71.00 SAE 100R17AR.	1
19	20.0368	.Hose, 1/2x21.00 SAE 100R17AR.	1
20	20.0369	.Hose, 1/2x16.00 SAE 100R17AR.	1
21	20.0370	.Hose, 3/8x25.00 SAE 100R17AR.	1
22	20.0376	.Hose, 3/4x69.00 SAE 100R17AR.	1

PARTS

ILLUSTRATED DRAWING 70.8211 Optional 12V Actuator



PARTS

70.8211 Optional 12V Actuator

REF.	PART NO.	DESCRIPTION	QTY.
1	03.0610	Clevis Pin, 3/8 X 1-1/4 ZP	2
2	02.CP0306	Cotter Pin, 3/32 X 3/4	2
3	30.0037	Tyton Tie, #50 .18 x 8 Black	5
4	37.0067	Actuator, 12V	1
5	32.0211	Harness, Wire Actuator	1