

# KW452

Weather Cab





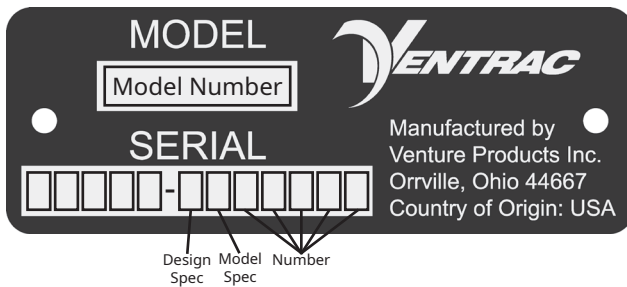
500 Venture Drive  
Orrville Oh 44667  
www.ventrac.com

View all manuals



Visit [ventrac.com/manuals](http://ventrac.com/manuals) for the latest version of this parts manual. A downloadable operator's manual is also available.

### Serial Number Description



Serial Plate Location



### Notes

- If any component requires replacement, use only original Ventrac replacement parts.
- When ordering new components, be sure to order all required safety decals. All current safety decals must be affixed to the replacement components prior to installation of the component.

# TABLE OF CONTENTS

| <b>PARTS</b>  | <b>PAGE 4</b> |
|---|---------------|
| Wiring Diagram Reference Key.....                   | 4             |
| Wiring Diagram .....                                | 5             |
| Wire Harness & Fuse Panel.....                      | 6             |
| Cab Frame & Mount.....                              | 8             |
| Cab Roof Mount.....                                 | 10            |
| Main Switch Panel, Cover Plates, & Components ..... | 12            |
| Front & Rear Work Lights.....                       | 14            |
| Canvas Bellows & Column Covers .....                | 16            |
| Front Windshield & Windshield Wiper.....            | 18            |
| Upper Door Frame & Latch .....                      | 20            |
| Lower Door.....                                     | 22            |
| Left Rear Window.....                               | 24            |
| Rear Window.....                                    | 26            |
| Right Rear Window .....                             | 28            |
| Right Front Window / Emergency Exit .....           | 30            |
| Lower Right Window .....                            | 32            |
| Four Point Seatbelt .....                           | 34            |
| Fuel Tank Cover, Frame Seals, Decals .....          | 36            |
| 70.2006-6 Defrost Fan Kit.....                      | 38            |
| 70.2006-4 Mirror Kit .....                          | 40            |
| 70.8162 Cab Hazard Lights Kit .....                 | 42            |
| 70.8161 Strobe Light Kit.....                       | 44            |
| 70.8148 Windshield Washer Kit.....                  | 46            |
| 70.8160 Console Fan/Heater Kit.....                 | 48            |
| Heater Blower Assembly .....                        | 50            |
| 70.8136 Kubota Heater Install Kit .....             | 52            |
| 70.8137 Kawasaki Heater Install Kit .....           | 54            |
| 70.4146 Kubota Radiator Baffle Kit.....             | 56            |
| 70.4147 Kubota Radiator Baffle Kit.....             | 58            |

# PARTS

## Wiring Diagram Reference Key

### Wire Reference Key

#### Harness Section Identifier

= 32.0175 - Harness, Windshield Washer  
V = 32.0168 - Harness, Wire Cab (Common Harness)  
W = 32.0169 - Harness, Wire KW452 Supply  
X = 32.0170 - Harness, Wire LW452 Supply  
Y = 32.0174 - Harness, Wire Heater Kit  
Z = 32.0176 - Harness, Wire Hazard

#### Wire Color & Circuit Type

Black = Ground  
Red = Secondary Power  
White = Primary Power  
Yellow = Light/Hazard

----- = \*Black Wire  
----- = White Wire  
|||----- = Ground  
● = Splice or Connection

\* All black wires that are part of the wire harness are part of the ground circuit. However, some components such as lights may be wired where black may be positive.

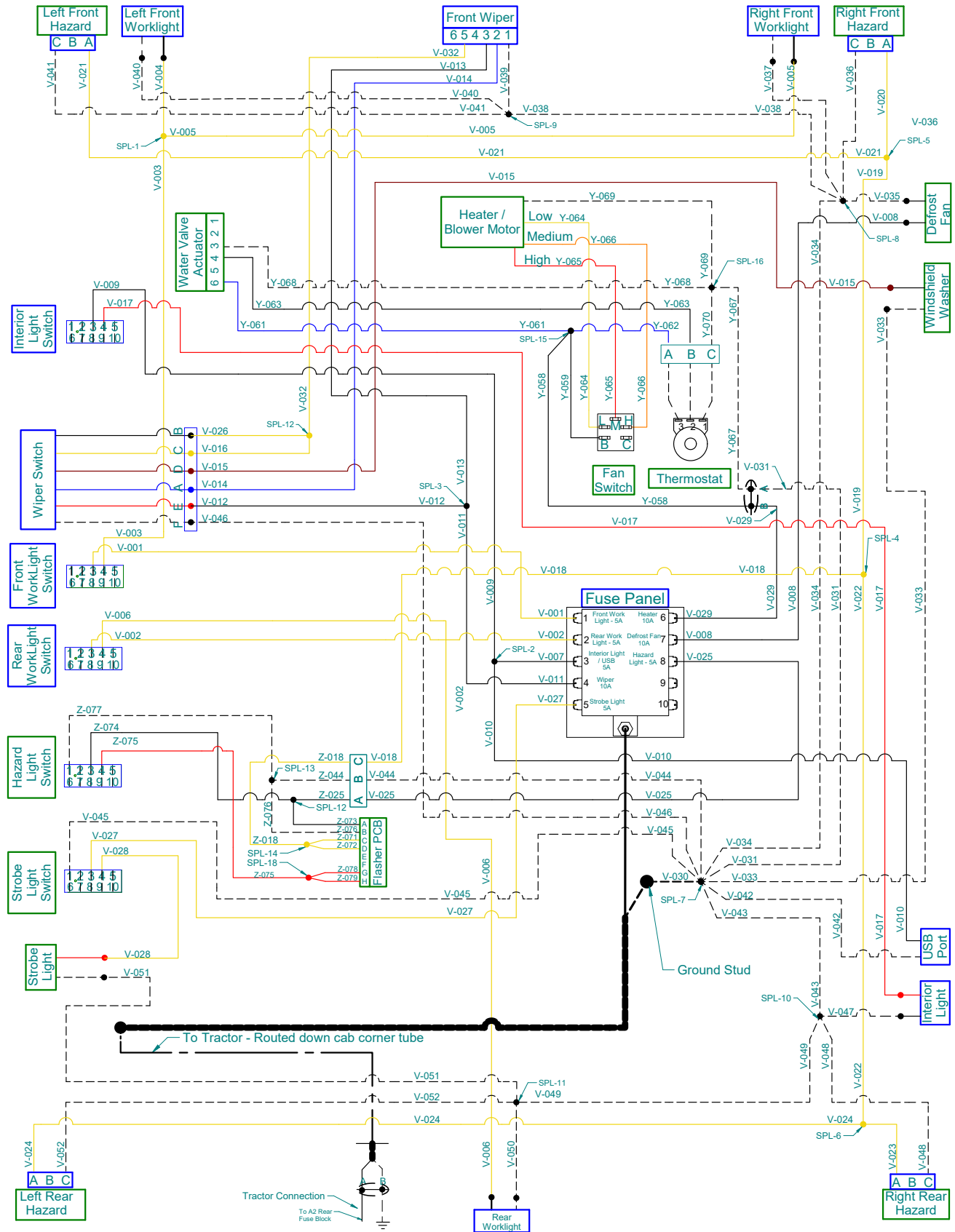
All other wires colors are as shown

Anything outlined with a blue box is a Standard Feature

Anything outlined with a Green box is a Option

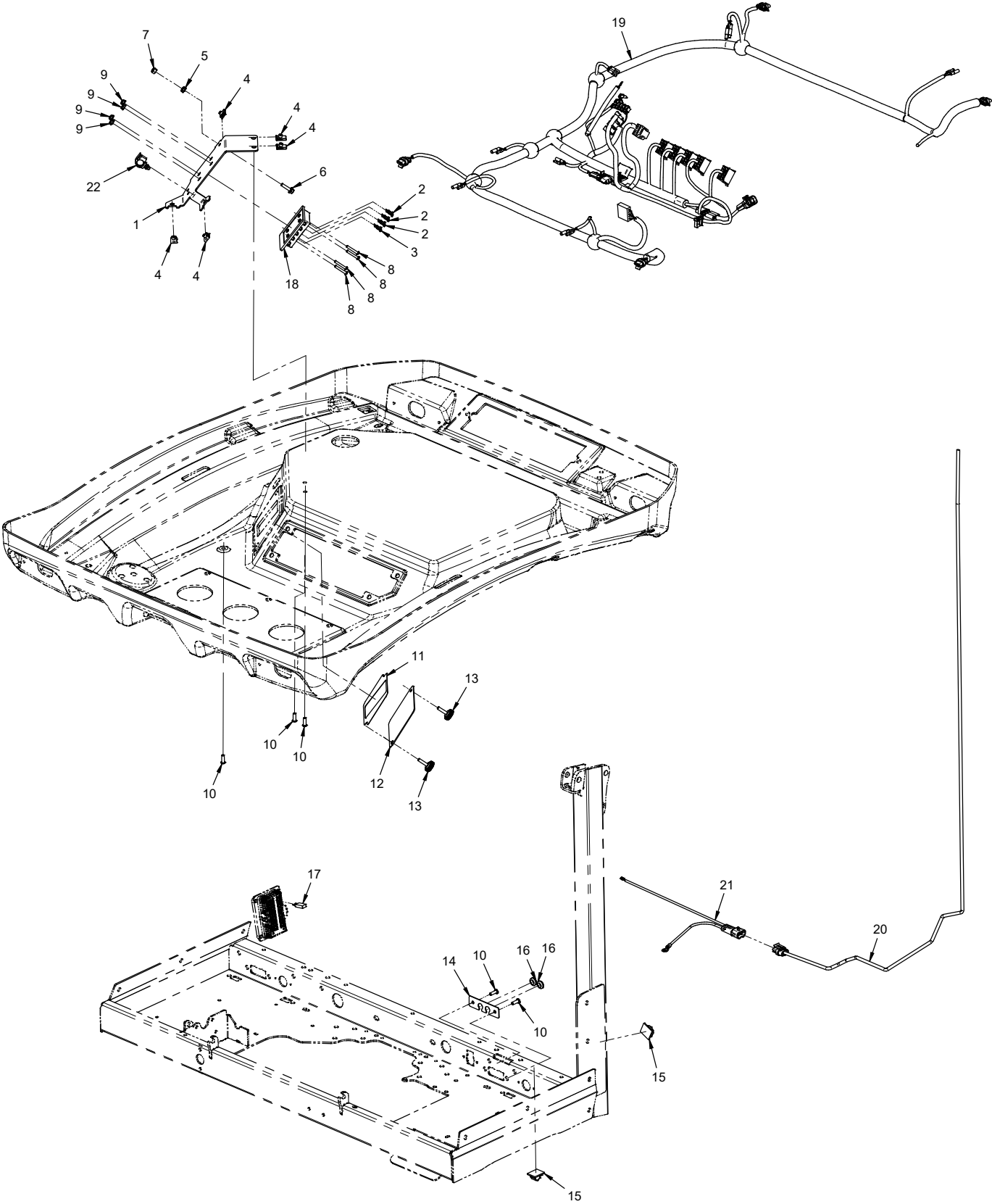
# PARTS

## Wiring Diagram



# PARTS

## ILLUSTRATED DRAWING Wire Harness & Fuse Panel



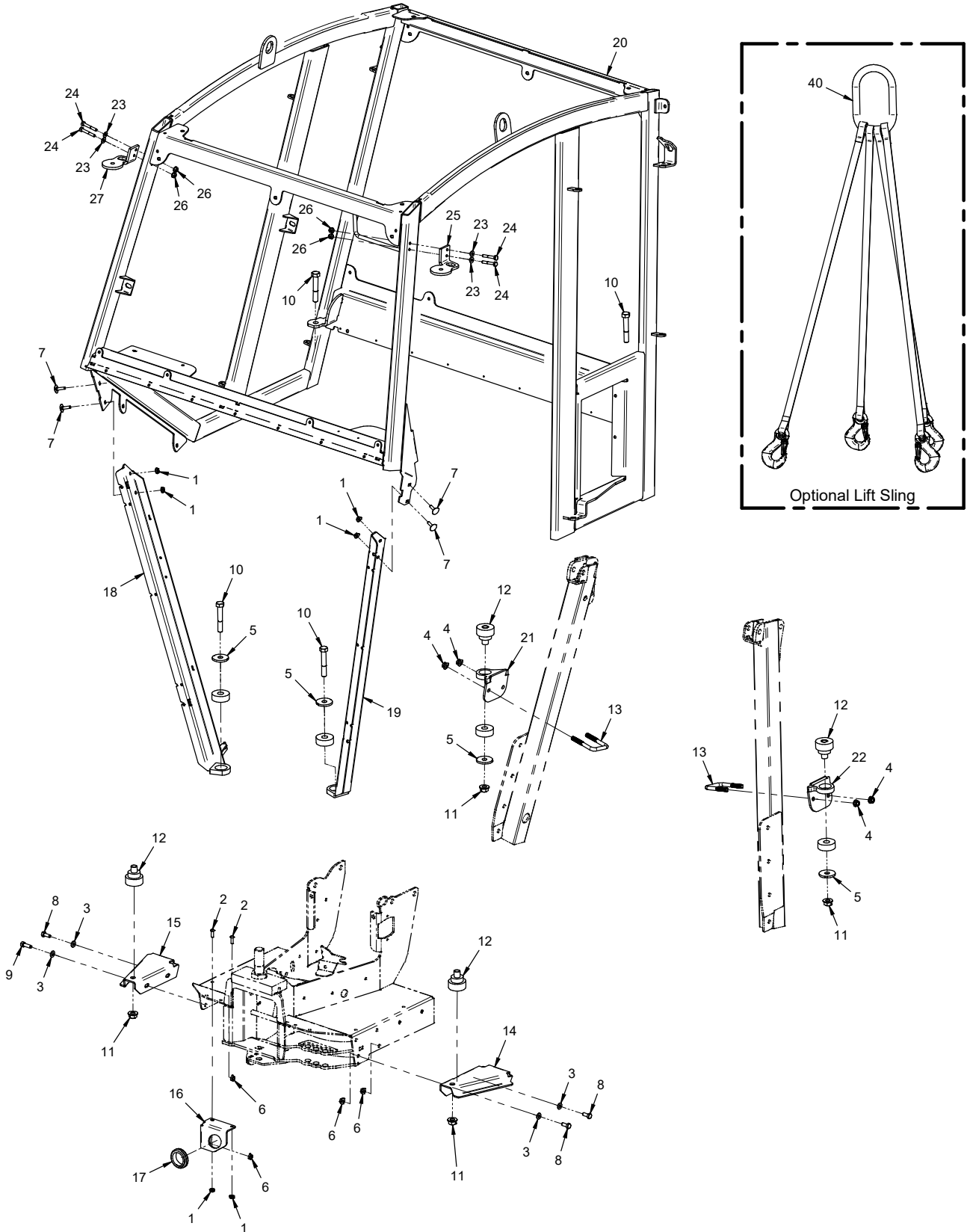
# PARTS

## Wire Harness & Fuse Panel

| REF. | PART NO.  | DESCRIPTION   | QTY. |
|------|-----------|---|------|
| 1    | 64.1913   | .BRACKET, FUSE PANEL  | 1    |
| 2    | 30.0187   | .FUSE, 5 AMP ATC BLADE - TAN.                                     | 3    |
| 3    | 30.0317   | .FUSE, 10 AMP ATC BLADE - RED                                     | 1    |
| 4    | 99.E0046  | .NUT, "U" 1/4-20 EXTRUDED   | 5    |
| 5    | 99.SF04   | .NUT, SRF 1/4-20 USS  | 1    |
| 6    | 99.SF0408 | .BOLT, SRF 1/4 X 1 USS  | 1    |
| 7    | 99.A04N   | .LOCKNUT, NYLON 1/4-20  | 1    |
| 8    | 99.K0144  | .MACHINE SCREW, #10-32 X 1-1/4                                    | 4    |
| 9    | 99.E0035  | .NUT, SRF #10-32  | 4    |
| 10   | 99.0406   | .BOLT, 1/4-20 X 3/4 BSCS  | 5    |
| 11   | 00.0412   | .DECAL, FUSE POSITION   | 1    |
| 12   | 60.1273   | .COVER, FUSE PANEL  | 1    |
| 13   | 47.0399   | .KNOB, 1/4-20 X 1 KNURLED   | 2    |
| 14   | 60.1175   | .COVER, OPT. LIGHT KIT ACCESS (4500)                              | 1    |
| 14   | KN-1281   | .COVER, WIRE HARNESS ACCESS (4520)                                | 1    |
| 15   | 30.0217   | .CLAMP, WIRE MT ADH. 1/2 GRAY                                     | 2    |
| 16   | 05.0136   | .GROMMET, 7/16ID, 3/4OD, 1/4THK                                   | 2    |
| 17   | 30.0445   | .BREAKER, CIRCUIT 30 AMP MINI                                     | 1    |
| 18   | 30.0499   | .FUSE PANEL, 10 POS ATC   | 1    |
| 19   | 32.0168   | .HARNESS, WIRE "2" SERIES CAB                                     | 1    |
| 20   | 32.0169   | .HARNESS, WIRE KW452 SUPPLY                                       | 1    |
| 21   | 32.0129   | .HARNESS, WIRE KW452/CANOPY FAN (4500, 4520 Serial # 01001-02232) | 1    |
| 21   | 32.0243   | .HARNESS, WIRE KW452/CANOPY FAN (4520 Serial # 02233-)            | 1    |
| 22   | 30.0135   | .CLAMP, LOOM 3/8 ROSEBUD MOUNT                                    | 1    |

# PARTS

## ILLUSTRATED DRAWING Cab Frame & Mount





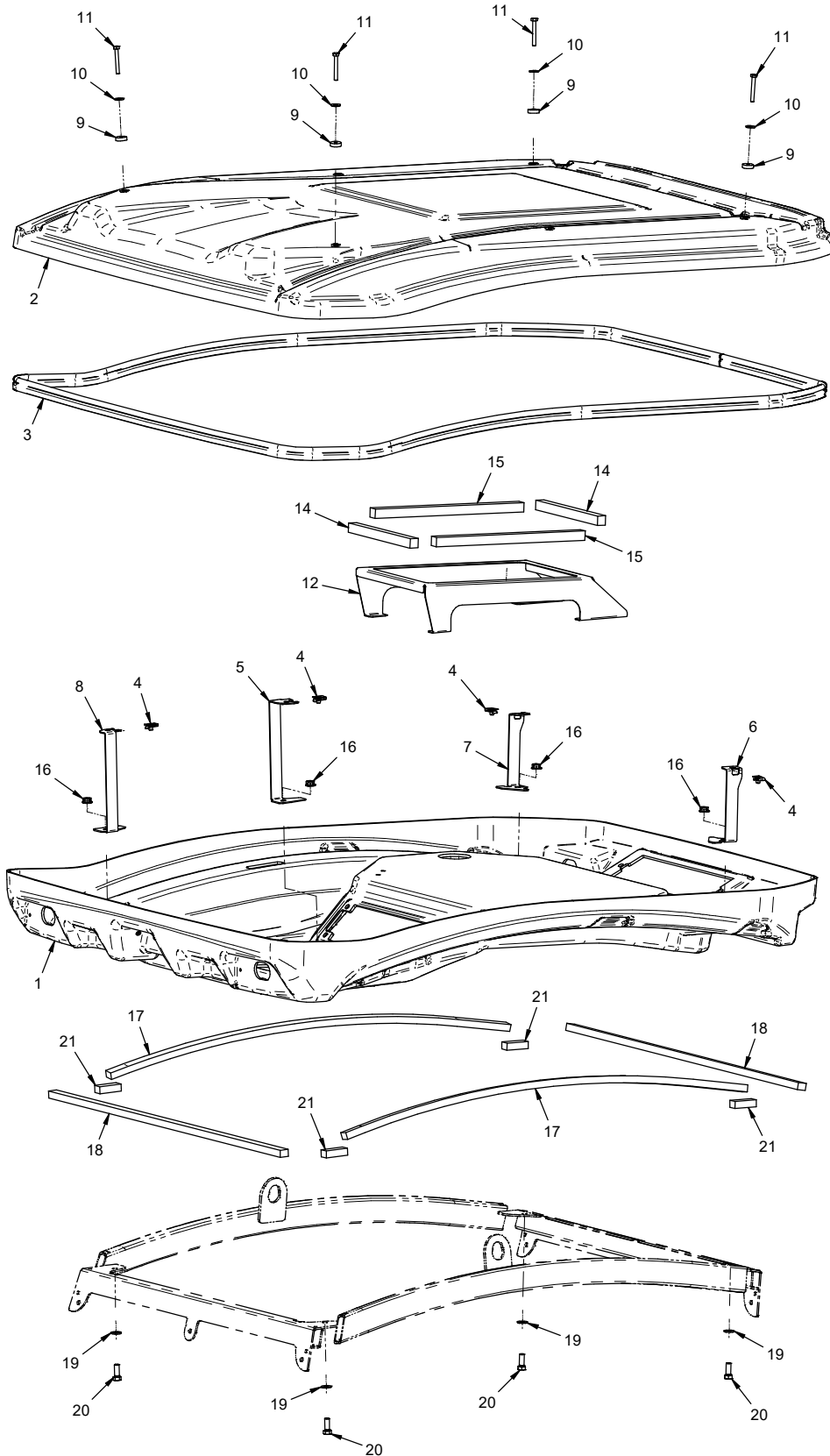
# PARTS

## Cab Frame & Mount

| REF. | PART NO. | DESCRIPTION                                   | QTY. |
|------|----------|---|------|
| 1    | 99.SF04  | .NUT, SRF 1/4-20 USS                          | 6    |
| 2    | 99.0406  | .BOLT, 1/4-20 X 3/4 BSCS                      | 2    |
| 3    | 95.05    | .WASHER, FLAT 5/16 SAE                        | 4    |
| 4    | 99.E0082 | .NUT, LOCKING FLANGE 3/8-16                   | 4    |
| 5    | 99.B0095 | .WASHER, .531 X 1.75 3/16 THICK               | 4    |
| 6    | 99.SF05  | .NUT, SRF 5/16-18 USS                         | 4    |
| 7    | 99.K0143 | .BOLT, STEP 1/4-20 X 1 BLK                    | 4    |
| 8    | 90.0506  | .BOLT, 5/16-18 USS X 3/4"                     | 3    |
| 9    | 90.0508  | .BOLT, 5/16-18 USS X 1"                       | 1    |
| 10   | 90.0824  | .BOLT, 1/2-13 USS X 3.                        | 4    |
| 11   | 99.E0103 | .NUT, LOCKING FLANGE 1/2-13                   | 4    |
| 12   | 05.0123  | .ISOLATOR, .53 ID X 1.87 OD                   | 4    |
| 13   | 11.0053  | .U-BOLT, 3/8-16 2-1/16" ID SQ BEND            | 2    |
| 14   | 64.1732  | .MOUNT, CAB FRONT LEFT                        | 1    |
| 15   | 64.1733  | .MOUNT, CAB FRONT RIGHT                       | 1    |
| 16   | 64.1738  | .BRACKET, MOUNT SUPPORT                       | 1    |
| 17   | 05.0036  | .GROMMET, 1 1/2ID,2 1/8OD,9/16T               | 1    |
| 18   | 64.1474  | .SUPPORT, CAB FRONT RH                        | 1    |
| 19   | 64.1473  | .SUPPORT, CAB FRONT LH                        | 1    |
| 20   | 62.1463  | .FRAME, MAIN KW452                            | 1    |
| 21   | 64.1478  | .MOUNT, CAB REAR RIGHT                        | 1    |
| 22   | 64.1477  | .MOUNT, CAB REAR LEFT                         | 1    |
| 23   | 95.04    | .WASHER, FLAT 1/4 SAE (Serial # 03584-)       | 4    |
| 24   | 90.0414  | .BOLT, 1/4-20 USS X 1-3/4 (Serial # 03584-)   | 4    |
| 25   | KW-256   | .MOUNT,LEFT MIRROR (Serial # 03584-)          | 1    |
| 26   | 99.E0101 | .NUT, LOCKING FLANGE 1/4-20 (Serial # 03584-) | 4    |
| 27   | KW-257   | .MOUNT,RIGHT MIRROR (Serial # 03584-)         | 1    |
| 40   | 47.0381  | .SLING, LIFT (OPTIONAL)                       | 1    |

# PARTS

## ILLUSTRATED DRAWING Cab Roof Mount



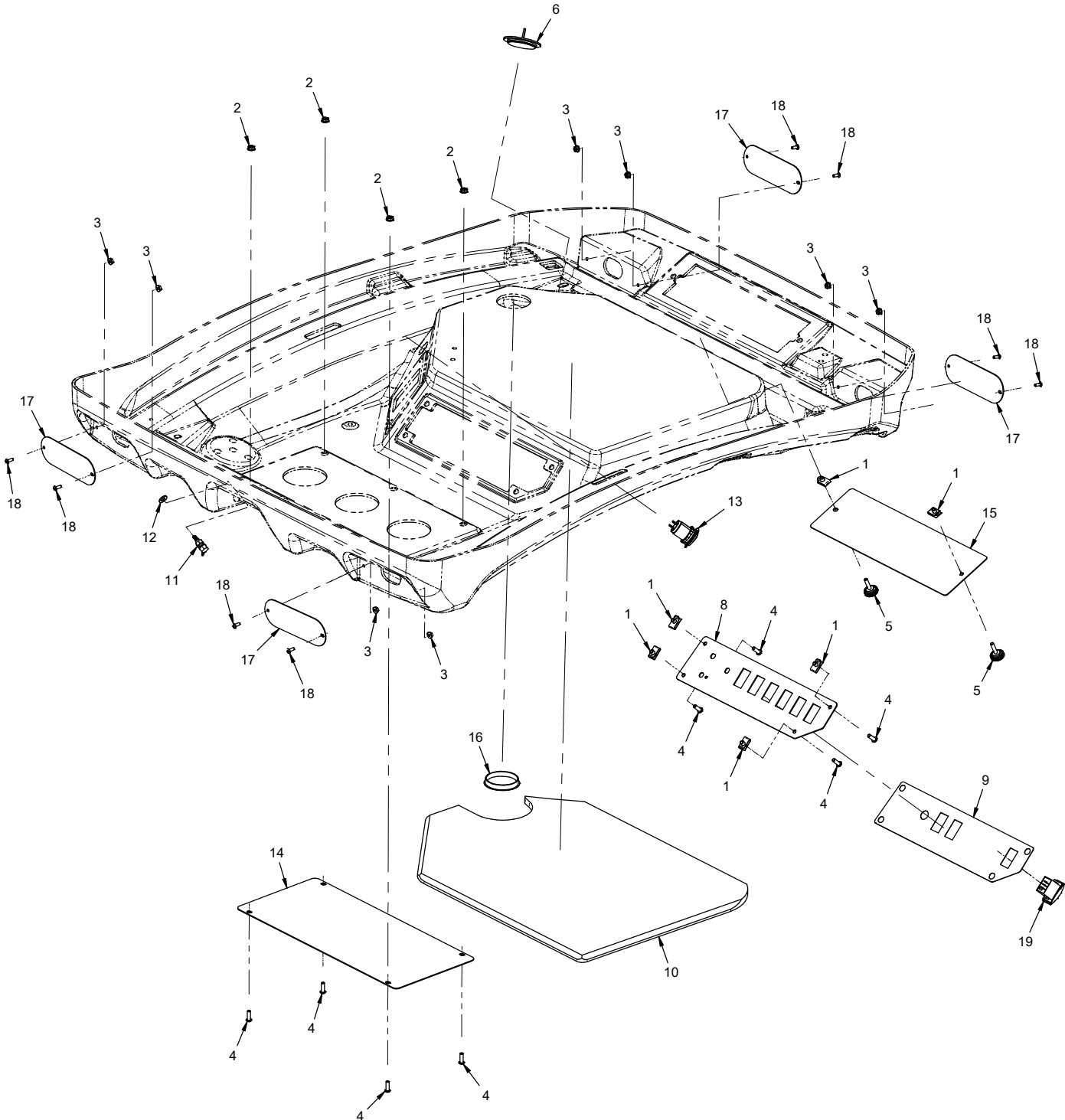
# PARTS

## Cab Roof Mount

| REF. | PART NO.        | DESCRIPTION                             | QTY. |
|------|-----------------|---|------|
| 1    | 44.0362         | .HEADLINER, CAB                         | 1    |
| 2    | 44.0363         | .ROOF, CAB                              | 1    |
| 3    | 06.0080-186IN   | .TRIM, SEAL 7/16" BULB X 186"           | 1    |
| 4    | 99.E0046        | .NUT, "U" 1/4-20 EXTRUDED               | 4    |
| 5    | 64.1918         | .BRACKET, ROOF MNT FRONT LEFT           | 1    |
| 6    | 64.1919         | .BRACKET, ROOF MNT REAR LEFT            | 1    |
| 7    | 64.1939         | .BRACKET, ROOF MNT REAR RIGHT           | 1    |
| 8    | 64.1935         | .BRACKET, ROOF MNT FRONT RIGHT          | 1    |
| 9    | 05.0168         | .WASHER, 1/4 ID X 7/8 OD X 1/4T         | 4    |
| 10   | 94.04           | .WASHER, FLAT 1/4 USS                   | 4    |
| 11   | 90.0420-2       | .BOLT, 1/4-20 X 2" TAP ZP               | 4    |
| 12   | 64.1945         | .BRACKET, ROOF SUPPORT                  | 1    |
| 14   | 06.0081-9IN     | .WEATHERSTRIP, 3/4 X 3/4 FOAM X 9"      | 2    |
| 15   | 06.0081-14IN    | .WEATHERSTRIP, 3/4 X 3/4 FOAM X 14"     | 2    |
| 16   | 99.E0082        | .NUT, LOCKING FLANGE 3/8-16             | 4    |
| 17   | 06.0081-38IN    | .WEATHERSTRIP, 3/4 X 3/4 FOAM X 38"     | 2    |
| 18   | 06.0081-34.25IN | .WEATHERSTRIP, 3/4 X 3/4 FOAM X 34-1/4" | 2    |
| 19   | 95.06           | .WASHER, FLAT 3/8 SAE                   | 4    |
| 20   | 90.0608         | .BOLT, 3/8-16 USS X 1                   | 4    |
| 21   | 06.0081-2IN     | .WEATHERSTRIP, 3/4 X 3/4 FOAM X 2"      | 4    |

# PARTS

## ILLUSTRATED DRAWING Main Switch Panel, Cover Plates, & Components



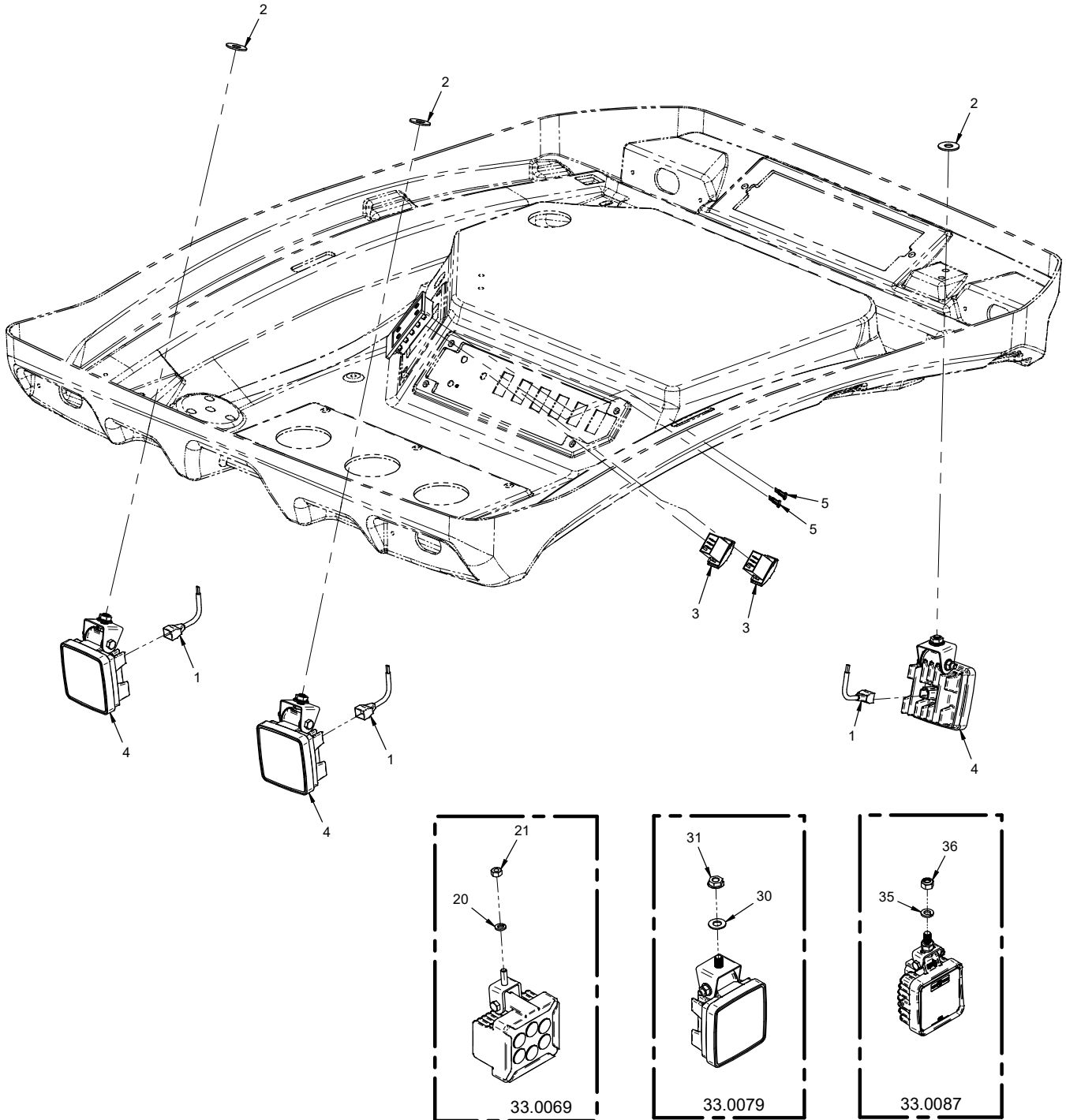
# PARTS

## Main Switch Panel, Cover Plates, & Components

| REF. | PART NO. | DESCRIPTION  | QTY. |
|------|----------|--|------|
| 1    | 99.E0046 | .NUT, "U" 1/4-20 EXTRUDED                              | 6    |
| 2    | 99.SF04  | .NUT, SRF 1/4-20 USS                                   | 4    |
| 3    | 99.E0035 | .NUT, SRF #10-32                                       | 8    |
| 4    | 99.0406  | .BOLT, 1/4-20 X 3/4 BSCS (Serial # 01001-01286)        | 8    |
| 4    | 99.0406  | .BOLT, 1/4-20 X 3/4 BSCS (Serial # 01287-)             | 4    |
| 5    | 47.0399  | .KNOB, 1/4-20 X 1 KNURLED                              | 2    |
| 6    | 33.0072  | .LIGHT, INTERIOR DOME                                  | 1    |
| 8    | 64.1914  | .PLATE, MAIN SWITCH PANEL                              | 1    |
| 9    | 00.0413  | .DECAL, MAIN SWITCH PANEL                              | 1    |
| 10   | 44.0364  | .UPHOLSTERY, HEADLINER                                 | 1    |
| 11   | 47.0402  | .FITTING, BULKHEAD 90 DEG                              | 1    |
| 12   | 95.05    | .WASHER, FLAT 5/16 SAE                                 | 1    |
| 13   | 30.0480  | .RECEPTACLE, USB DUAL                                  | 1    |
| 14   | 64.1920  | .PLATE, FRONT VENT COVER (Serial # 01001-01286)        | 1    |
| 15   | 47.0385  | .RETAINER, NO FILTER (SOLID) (Serial # 01001-01286)    | 1    |
| 16   | 05.0076  | .PLUG, 2-1/2" HOLE, BLK PLASTIC (Serial # 01001-01286) | 1    |
| 17   | 64.1922  | .PLATE, LIGHT COVER                                    | 4    |
| 18   | 99.K0062 | .MACHINE SCREW, #10-32 X 1/2                           | 8    |
| 19   | 31.0053  | .SWITCH, ROCKER ON/OFF                                 | 4    |

# PARTS

## ILLUSTRATED DRAWING Front & Rear Work Lights



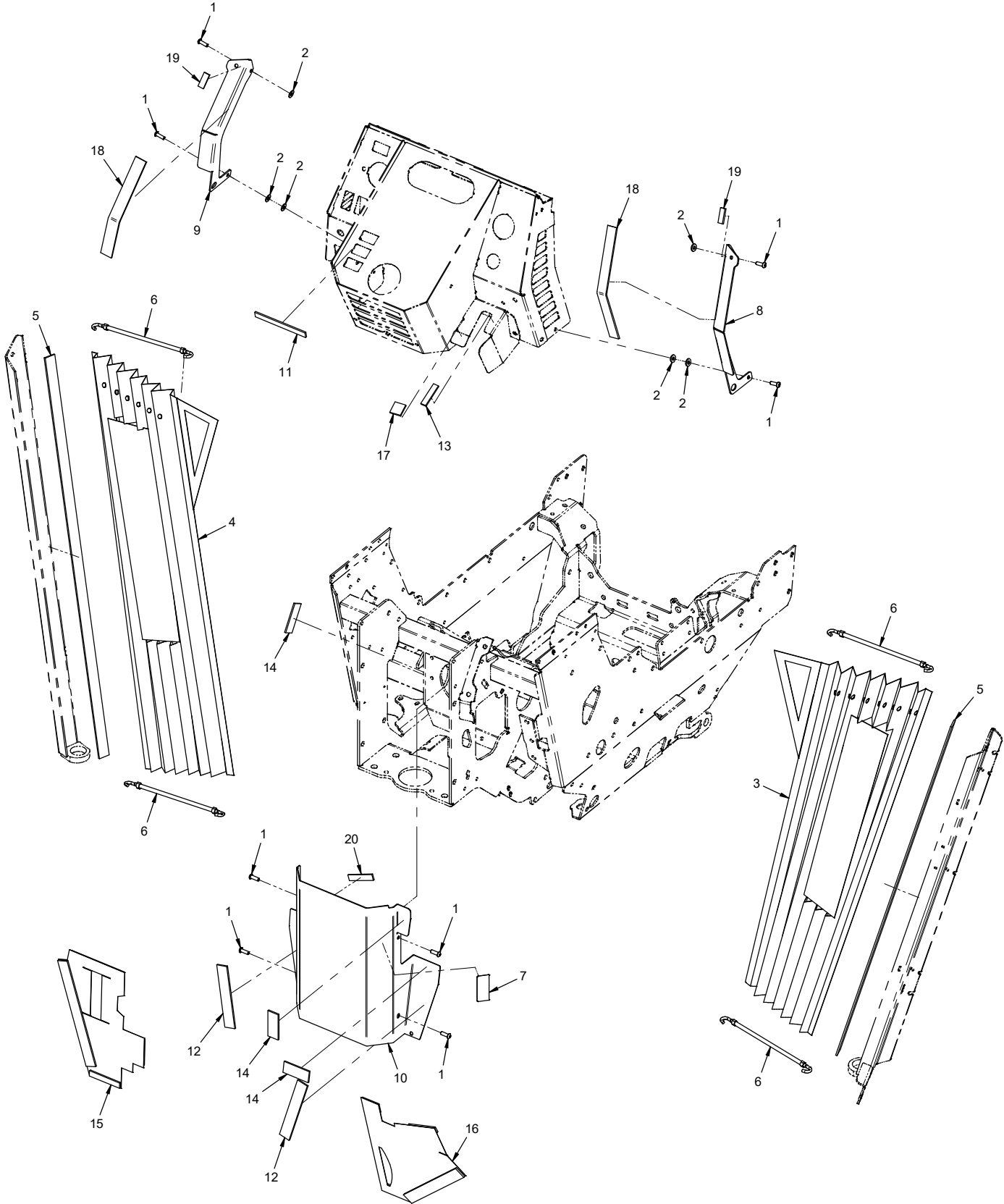
# PARTS

## Front & Rear Work Lights

| REF. | PART NO. | DESCRIPTION  | QTY. |
|------|----------|--|------|
| 1    | 32.0161  | .HARNESS, WIRE 33.0069 BULLET (Serial # 01001-01316) | 3    |
| 1    | 32.0177  | .HARNESS, WIRE GROTE WORK LIGHT (Serial # 01317-)    | 3    |
| 2    | 99.B0118 | .WASHER, FENDER 5/16 X 1-1/4 (Serial # 01001-01316)  | 3    |
| 2    | 94.07    | .WASHER, FLAT 7/16 USS (Serial # 01317-03173)        | 3    |
| 2    | 94.06    | .WASHER, FLAT 3/8 USS (03174-)                       | 3    |
| 3    | 31.0053  | .SWITCH, ROCKER ON/OFF                               | 2    |
| 4    | 33.0069  | .LIGHT, WORK 3 X 3 LED (Serial # 01001-01316)        | 3    |
| 4    | 33.0079  | .LIGHT, LED WIDE FLOOD (Serial # 01317-03173)        | 3    |
| 4    | 33.0087  | .LIGHT, LED FLOOD WITH BRACKET (03174-)              | 3    |
| 5    | 30.0187  | .FUSE, 5 AMP ATC BLADE - TAN.                        | 2    |
| 20   | 96.05    | .WASHER, LOCK 5/16                                   | 1    |
| 21   | 99.M0025 | .NUT, M8 X 1.25MM                                    | 1    |
| 30   | 95.07    | .WASHER, FLAT 7/16 SAE                               | 1    |
| 31   | 99.M0021 | .NUT, SMF M10 X 1.5MM                                | 1    |
| 35   | 96.05    | .WASHER, LOCK 5/16                                   | 1    |
| 36   | 99.M0068 | .NUT, M8 X 1.25 NYLON LOCK                           | 1    |

# PARTS

## ILLUSTRATED DRAWING Canvas Bellows & Column Covers





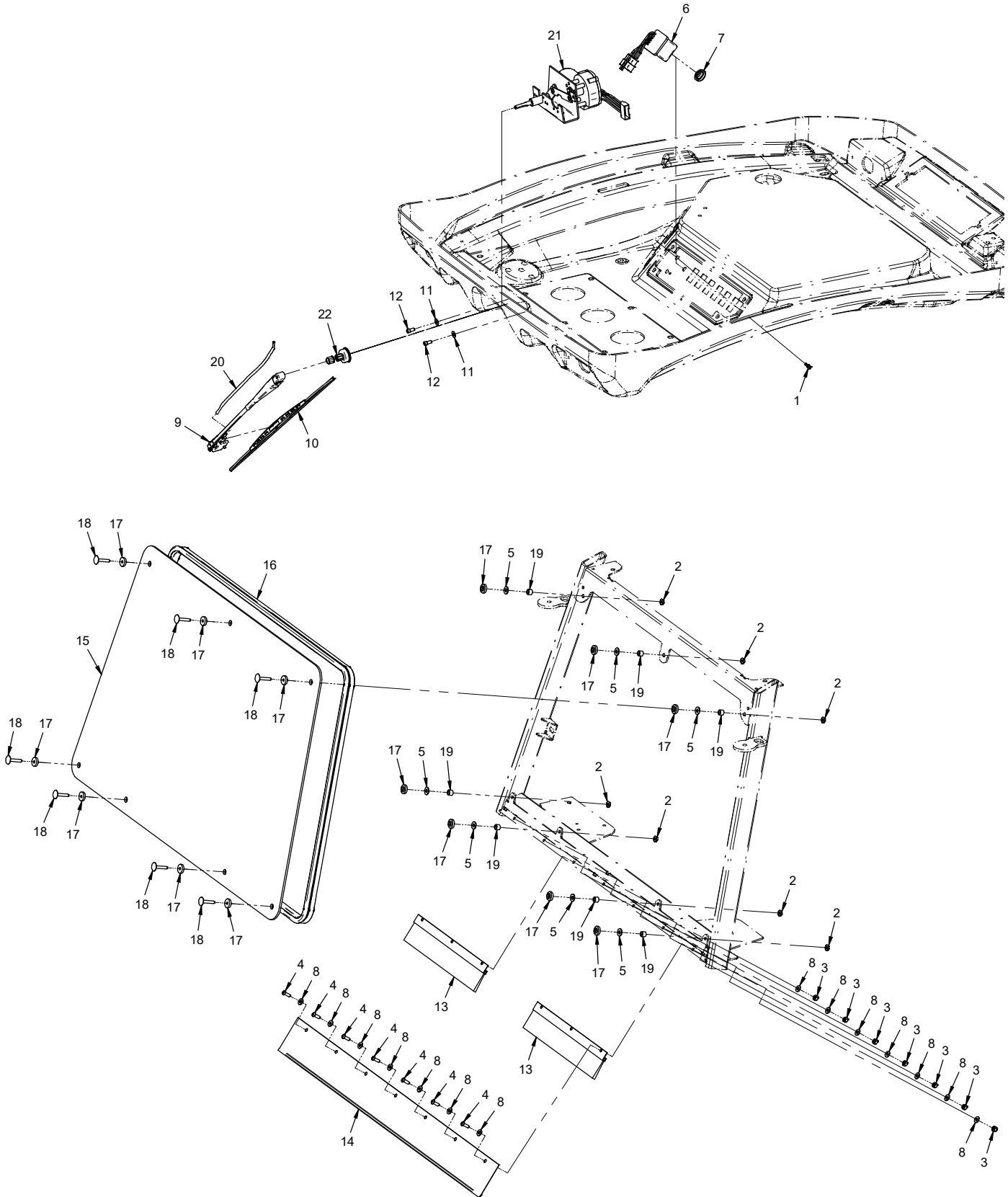
# PARTS

## Canvas Bellows & Column Covers

| REF. | PART NO.       | DESCRIPTION                       | QTY. |
|------|----------------|-----------------------------------|------|
| 1    | 99.0406        | .BOLT, 1/4-20 X 3/4 BSCS          | 8    |
| 2    | 95.04          | .WASHER, FLAT 1/4 SAE             | 6    |
| 3    | 44.0326        | .CANVAS, PLEATED RIGHT            | 1    |
| 4    | 44.0325        | .CANVAS, PLEATED LEFT             | 1    |
| 5    | 06.0065-35IN   | .VELCRO, LOOP 1" BLACK X 35"      | 2    |
| 6    | 47.0425        | .STRAP, BELLOWS SUPPORT           | 4    |
| 7    | 00.0318        | .DECAL, NEUTRAL ASSIST            | 1    |
| 8    | 64.1740        | .MOUNT, CANVAS COLUMN RIGHT       | 1    |
| 9    | 64.1739        | .MOUNT, CANVAS COLUMN LEFT        | 1    |
| 10   | 60.1180        | .COVER, PUMP W/FLANGES            | 1    |
| 11   | 06.0071-5IN    | .VELCRO, LOOP, 1/2" WIDE X 5"     | 1    |
| 12   | 06.0065-5.5IN  | .VELCRO, LOOP, 1" BLACK X 5-1/2"  | 2    |
| 13   | 06.0071-2IN    | .VELCRO, LOOP, 1/2" BLACK X 2"    | 1    |
| 14   | 06.0065-2.5IN  | .VELCRO, LOOP 1" BLACK X 2-1/2"   | 3    |
| 15   | 44.0328        | .CANVAS, COLUMN LEFT              | 1    |
| 16   | 44.0329        | .CANVAS, COLUMN RIGHT             | 1    |
| 17   | 06.0065-1IN    | .VELCRO, LOOP 1" BLACK X 1"       | 1    |
| 18   | 06.0065-9.75IN | .VELCRO, LOOP 1" BLACK X 9-3/4"   | 2    |
| 19   | 06.0071-1.25IN | .VELCRO, LOOP 1/2" BLACK X 1-1/4" | 2    |
| 20   | 06.0071-2.5IN  | .VELCRO, LOOP 1/2" BLACK X 2-1/2" | 1    |

# PARTS

## ILLUSTRATED DRAWING Front Windshield & Windshield Wiper



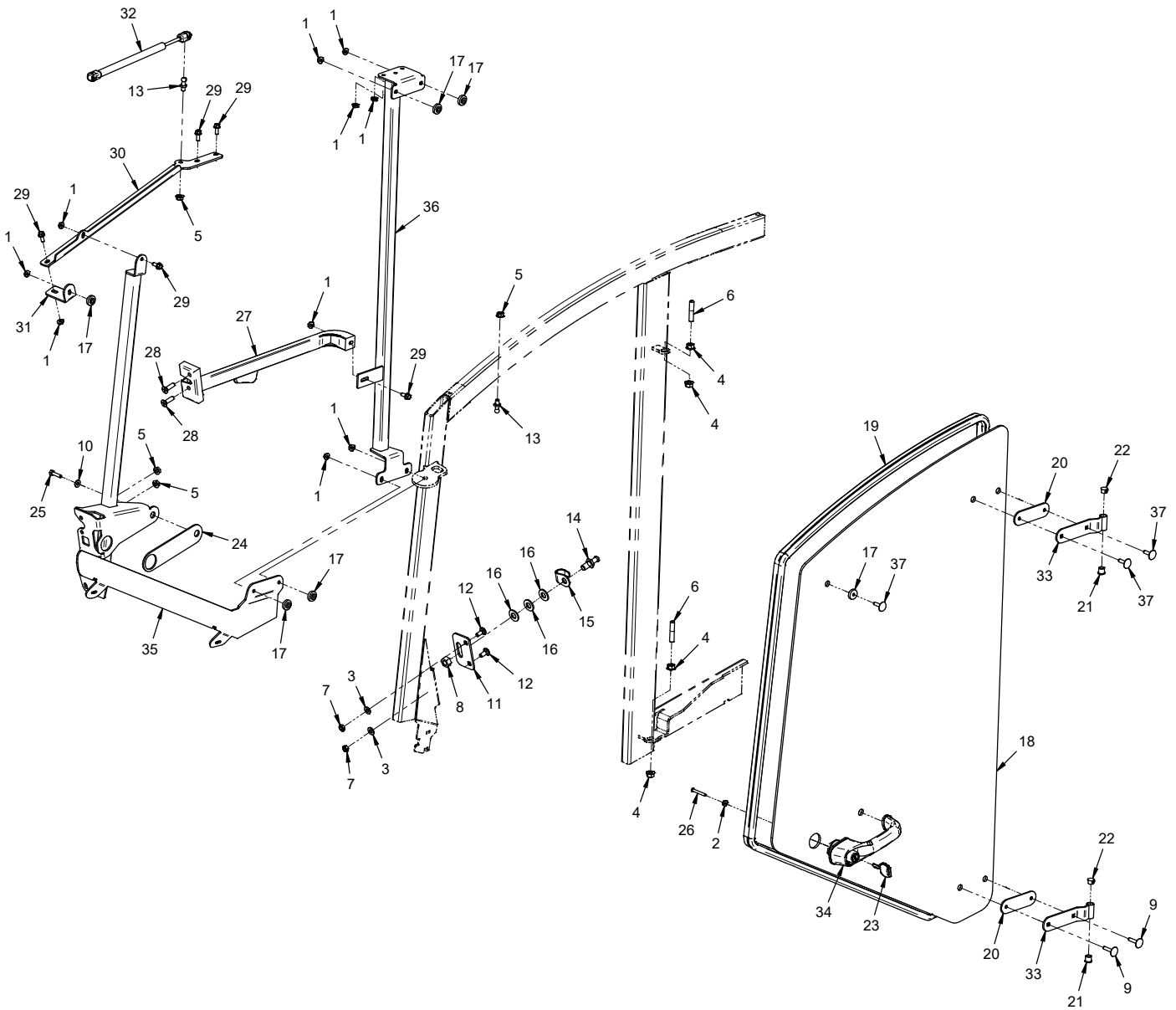
# PARTS

## Front Windshield & Windshield Wiper

| REF. | PART NO.      | DESCRIPTION                         | QTY. |
|------|---------------|-------------------------------------|------|
| 1    | 30.0317       | .FUSE, 10 AMP ATC BLADE - RED       | 1    |
| 2    | 99.SF04       | .NUT, SRF 1/4-20 USS                | 7    |
| 3    | 99.A04N       | .LOCKNUT, NYLON 1/4-20              | 7    |
| 4    | 99.0406       | .BOLT, 1/4-20 X 3/4 BSCS            | 7    |
| 5    | 94.04         | .WASHER, FLAT 1/4 USS               | 7    |
| 6    | 31.0069       | .SWITCH, WIPER ROTARY W/WASHER      | 1    |
| 7    | 31.0069-1     | .KNOB, WIPER SWITCH                 | 1    |
| 8    | 95.04         | .WASHER, FLAT 1/4 SAE               | 14   |
| 9    | 47.0403       | .WIPER ARM, RADIAL 16" WET          | 1    |
| 10   | 47.0287       | .WIPER BLADE, WINDSHIELD 21"        | 1    |
| 11   | 95.04-3       | .WASHER, FLAT 1/4 SAE SS            | 2    |
| 12   | 99.K0142      | .BOLT, SHCS 1/4-28 X 1/2 SS         | 2    |
| 13   | 79.0096       | .BRUSH, CANVAS SUPPORT              | 2    |
| 14   | 44.0276       | .CANVAS, WINDSHIELD BOTTOM          | 1    |
| 15   | 44.0306       | .WINDOW, FRONT WINDSHIELD 3/16      | 1    |
| 16   | 06.0072-128IN | .TRIM, SEAL DOUBLE BULB 3/16 X 128" | 1    |
| 17   | 85.B0098      | .BUSHING, STEP 1/4 X 7/8 X 5/16H    | 14   |
| 18   | 99.K0119      | .BOLT, STEP 1/4-20 X 1-1/2 BLK      | 7    |
| 19   | 05.0166       | .SPACER, 1/4 X 1/2 X 3/8L           | 7    |
| 20   | 27.0004       | .TUBING, WASHER FOR WIPER ARM       | 1    |
| 21   | 37.0056       | .MOTOR, WINDSHIELD WIPER 1 SPD      | 1    |
| 22   | 47.0301       | .KIT, WIPER MOTOR HARDWARE          | 1    |

# PARTS

## ILLUSTRATED DRAWING Upper Door Frame & Latch



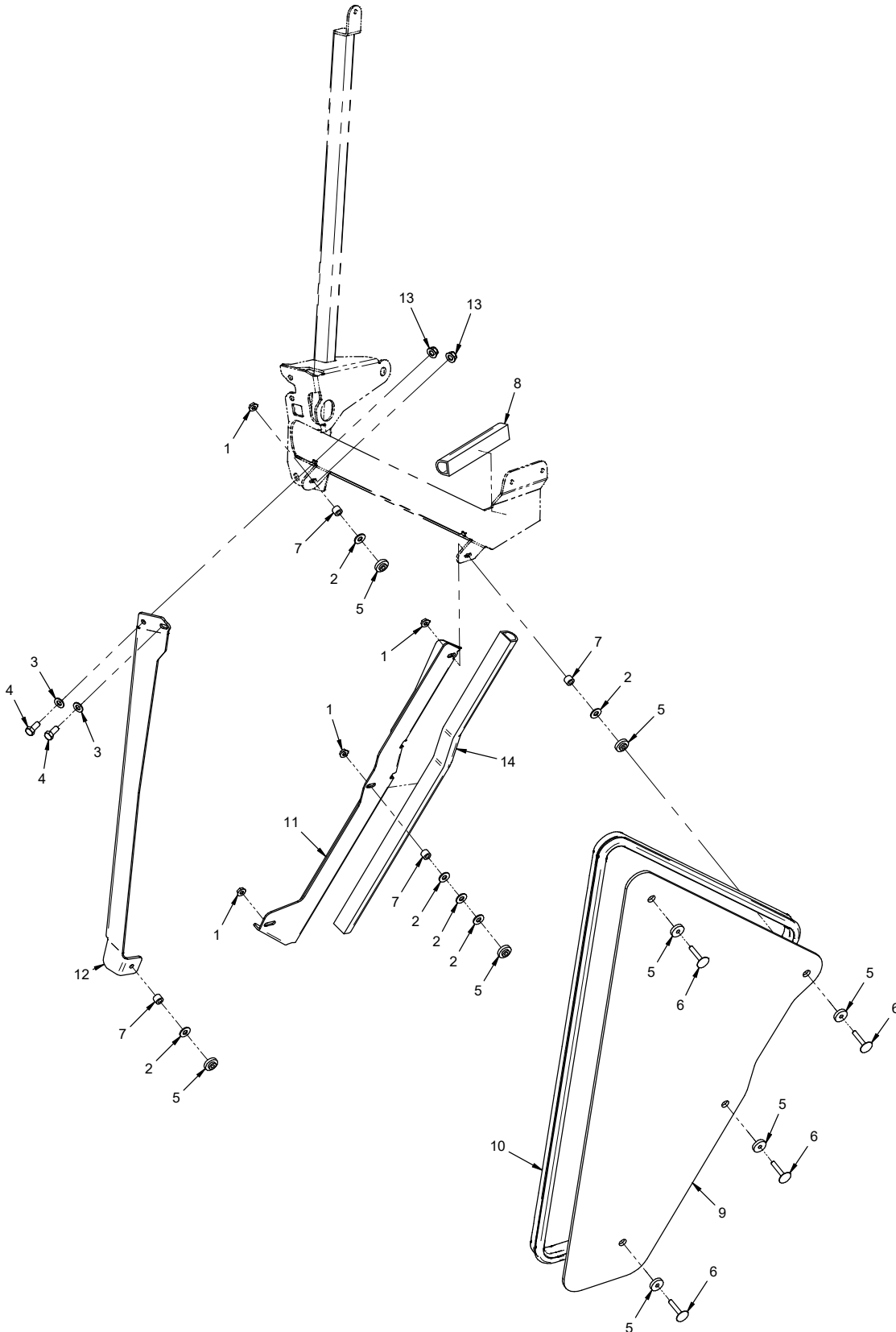
# PARTS

## Upper Door Frame & Latch

| REF. | PART NO.      | DESCRIPTION                          | QTY. |
|------|---------------|--------------------------------------|------|
| 1    | 99.SF04       | .NUT, SRF 1/4-20 USS                 | 10   |
| 2    | 99.E0035      | .NUT, SRF #10-32                     | 1    |
| 3    | 95.05         | .WASHER, FLAT 5/16 SAE               | 2    |
| 4    | 99.SF06       | .NUT, SRF 3/8-16 USS                 | 4    |
| 5    | 99.SF05       | .NUT, SRF 5/16-18 USS                | 4    |
| 6    | 99.F0043      | .PIN, HINGE 3/8-16 X 1-7/8 SS        | 2    |
| 7    | 99.A05        | .LOCKNUT, STOVER 5/16-18 USS         | 2    |
| 8    | 99.M0023      | .NUT, M12 X 1.0MM                    | 1    |
| 9    | 99.K0115      | .BOLT, STEP 1/4-20X1-1/4 BLK         | 2    |
| 10   | 95.04         | .WASHER, FLAT 1/4 SAE                | 1    |
| 11   | 64.1488       | .MOUNT, STRIKER PIN                  | 1    |
| 12   | 97.0506       | .BOLT, CARRIAGE 5/16 X 3/4           | 2    |
| 13   | 47.0225       | .STUD, BALL 10MM 5/16-18 THREAD      | 2    |
| 14   | 47.0283       | .STRIKER, DOOR LATCH                 | 1    |
| 15   | 47.0284       | .GUARD, STRIKER                      | 1    |
| 16   | 95.08         | .WASHER, FLAT 1/2 SAE                | 3    |
| 17   | 85.B0098      | .BUSHING, STEP 1/4 X 7/8 X 5/16H     | 6    |
| 18   | 44.0291       | .WINDOW, DOOR UPPER 3/16             | 1    |
| 19   | 06.0072-127IN | .TRIM, SEAL DOUBLE BULB 3/16" X 127" | 1    |
| 20   | 44.0274       | .GASKET, GLASS HINGE MOUNT           | 2    |
| 21   | 85.B0068      | .BUSHING, 3/8 X 1/2 OD X 1/2 LG      | 2    |
| 22   | 05.0070       | .PLUG, 1/2" HOLE, NYLON              | 2    |
| 23   | 47.0357       | .KEY, DOOR HANDLE KW (2 KEYS)        | 1    |
| 24   | 44.0273       | .GASKET, DOOR HANDLE INNER           | 1    |
| 25   | 99.M0022      | .BOLT, M6 X 1.0 X 25MM               | 1    |
| 26   | 99.K0067      | .MACHINE SCREW, #10-32 X 1-1/2       | 1    |
| 27   | 47.0282       | .LATCH, DOOR ASM                     | 1    |
| 28   | 99.K0116      | .MACHINE SCREW, 5/16-18 X 1-1/4      | 2    |
| 29   | 99.SF0405-1   | .BOLT, SMF 1/4-20 X 5/8              | 5    |
| 30   | 64.1493       | .BRACKET, DOOR FRAME TOP             | 1    |
| 31   | 64.1489       | .BRACKET, DOOR GLASS MOUNT           | 1    |
| 32   | 47.0289       | .SHOCK, GAS SPRING .59 DIA 20#       | 1    |
| 33   | 64.1480       | .HINGE, GLASS MOUNT                  | 2    |
| 34   | 47.0281       | .HANDLE, PUSH BUTTON ASM             | 1    |
| 35   | 62.1327       | .FRAME, DOOR FRONT                   | 1    |
| 36   | 62.1328       | .FRAME, DOOR REAR                    | 1    |
| 37   | 99.K0143      | .BOLT, STEP 1/4-20 X 1 BLK           | 3    |

# PARTS

## ILLUSTRATED DRAWING Lower Door



# PARTS

## Lower Door

| REF. | PART NO.       | DESCRIPTION                         | QTY. |
|------|----------------|-------------------------------------|------|
| 1    | 99.SF04        | NUT, SRF 1/4-20 USS                 | 4    |
| 2    | 94.04          | WASHER, FLAT 1/4 USS                | 6    |
| 3    | 95.05          | WASHER, FLAT 5/16 SAE               | 2    |
| 4    | 90.0506        | BOLT, 5/16-18 USS X 3/4"            | 2    |
| 5    | 85.B0098       | BUSHING, STEP 1/4 X 7/8 X 5/16H     | 8    |
| 6    | 99.K0119       | BOLT, STEP 1/4-20 X 1-1/2 BLK       | 4    |
| 7    | 05.0166        | SPACER, 1/4 X 1/2 X 3/8L            | 4    |
| 8    | 06.0064-6IN    | WEATHERSTRIP, 1 X1 D-SHAPE X 6"L    | 1    |
| 9    | 44.0292        | WINDOW, DOOR LOWER 3/16             | 1    |
| 10   | 06.0072-90IN   | TRIM, SEAL DOUBLE BULB 3/16" X 90"  | 1    |
| 11   | 64.1494        | BRACKET, WINDOW DOOR LOWER          | 1    |
| 12   | 64.1472        | SUPPORT, DOOR WINDOW LOWER          | 1    |
| 13   | 99.E0102       | NUT, LOCKING FLANGE 5/16-18         | 2    |
| 14   | 06.0064-23.5IN | WEATHERSTRIP, 1 X1 D-SHAPE X 23.5"L | 1    |





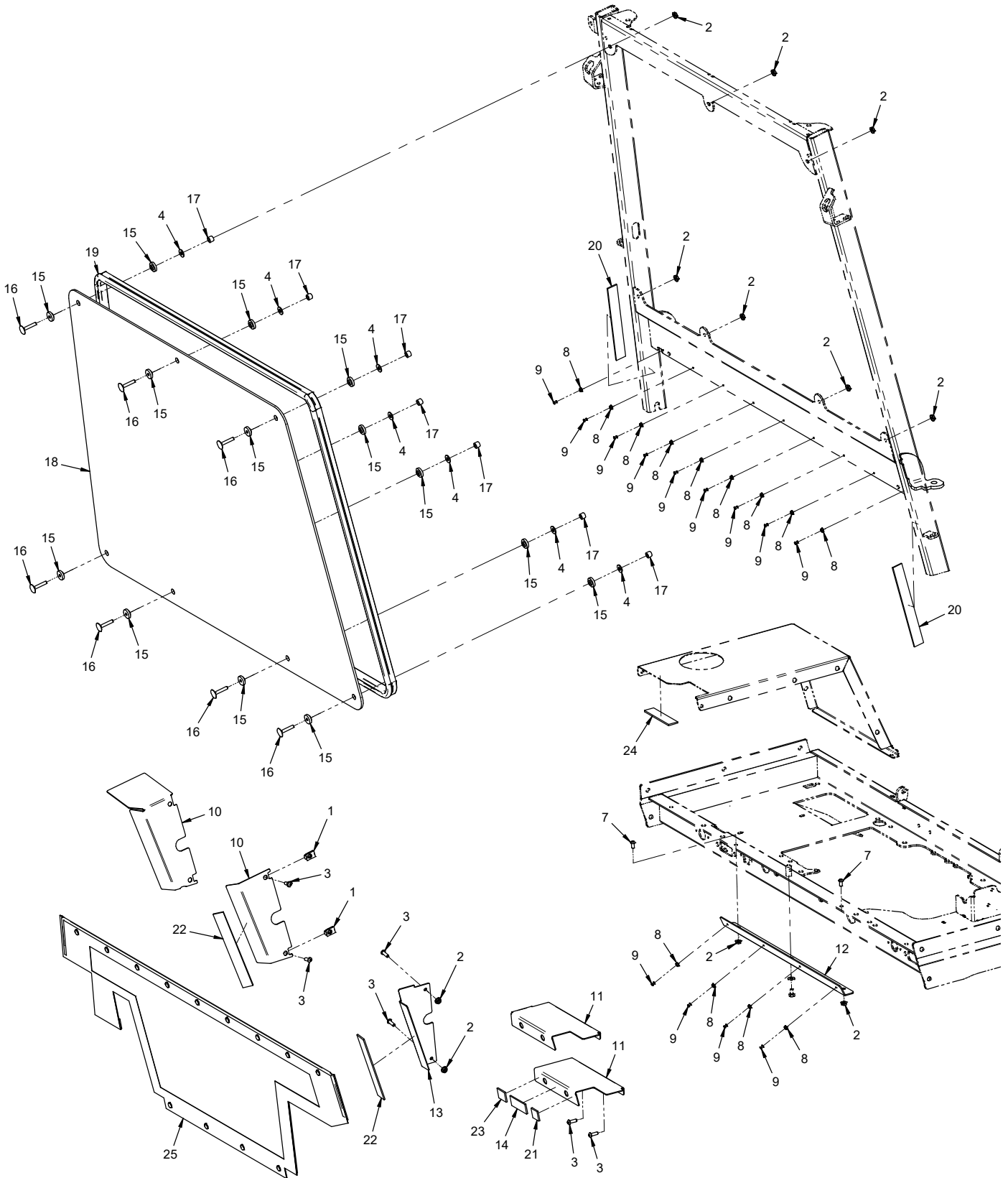
# PARTS

## Left Rear Window

| REF. | PART NO.     | DESCRIPTION                         | QTY. |
|------|--------------|-------------------------------------|------|
| 1    | 99.SF04      | .NUT, SRF 1/4-20 USS                | 5    |
| 2    | 94.04        | .WASHER, FLAT 1/4 USS               | 1    |
| 3    | 99.SF06      | .NUT, SRF 3/8-16 USS                | 6    |
| 4    | 99.F0043     | .PIN, HINGE 3/8-16 X 1-7/8 SS       | 3    |
| 5    | 99.K0143     | .BOLT, STEP 1/4-20 X 1 BLK          | 4    |
| 6    | 85.B0098     | .BUSHING, STEP 1/4 X 7/8 X 5/16H    | 8    |
| 7    | 44.0274      | .GASKET, GLASS HINGE MOUNT          | 2    |
| 8    | 85.B0068     | .BUSHING, 3/8 X 1/2 OD X 1/2 LG     | 2    |
| 9    | 05.0070      | .PLUG, 1/2" HOLE, NYLON             | 2    |
| 10   | 44.0293      | .WINDOW, LEFT REAR 3/16             | 1    |
| 11   | 06.0072-82IN | .TRIM, SEAL DOUBLE BULB 3/16" X 82" | 1    |
| 12   | 05.0125      | .BUMPER, NEOPRENE 1" DIA            | 2    |
| 13   | 99.B0100     | .WASHER, FENDER 1/4 X 7/8 OD ZP     | 4    |
| 14   | 90.0408      | .BOLT, 1/4-20 USS X 1"              | 2    |
| 15   | 64.1952      | .BRACKET, REAR WINDOW LATCH         | 1    |
| 16   | 99.0408      | .BOLT, 1/4-20 X 1 BSCS              | 1    |
| 17   | 40.0403      | .ARM, SIDE WINDOW LATCH             | 1    |
| 18   | 05.0164      | .WASHER, RUBBER EPDM                | 1    |
| 19   | 99.B0116     | .WASHER, FENDER 1/4 X 1-1/4         | 1    |
| 20   | 64.1480      | .HINGE, GLASS MOUNT                 | 2    |
| 21   | 05.0165      | .GROMMET, FLANGE .28X0.74X0.43T     | 1    |

# PARTS

## ILLUSTRATED DRAWING Rear Window



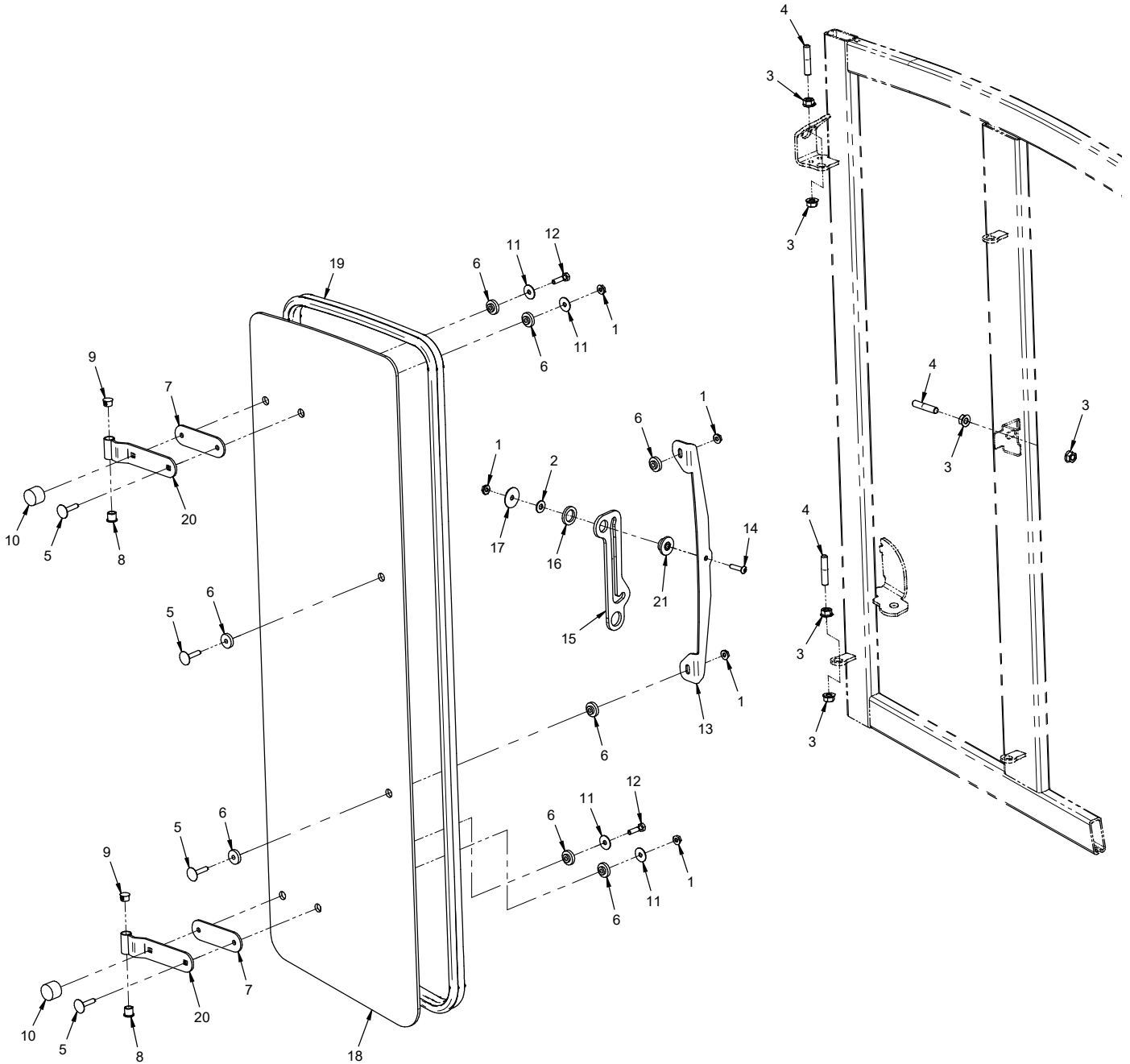
# PARTS

## Rear Window

| REF. | PART NO.       | DESCRIPTION                          | QTY. |
|------|----------------|--------------------------------------|------|
| 1    | 99.E0046       | .NUT, "U" 1/4-20 EXTRUDED            | 2    |
| 2    | 99.SF04        | .NUT, SRF 1/4-20 USS                 | 11   |
| 3    | 99.0406        | .BOLT, 1/4-20 X 3/4 BSCS             | 6    |
| 4    | 94.04          | .WASHER, FLAT 1/4 USS                | 7    |
| 7    | 99.0404        | .BOLT, 1/4-20 X 1/2 BSCS             | 2    |
| 8    | 04.0020        | .SNAP, STUD 3/8 X 9/16 SS            | 13   |
| 9    | 04.0029        | .RIVET, POP 1/8" X 1/4" SS           | 13   |
| 10   | 64.1737        | .BRACKET, WINDOW REAR LEFT (4500)    | 1    |
| 10   | 64.2032        | .BRACKET, WINDOW REAR LEFT (4520)    | 1    |
| 11   | 64.1735        | .BRACKET, WINDOW REAR TOP (4500)     | 1    |
| 11   | 64.2031        | .BRACKET, WINDOW REAR TOP (4520)     | 1    |
| 12   | 64.1734        | .MOUNT, WINDOW REAR LOWER            | 1    |
| 13   | 64.1736        | .BRACKET, WINDOW REAR RIGHT          | 1    |
| 14   | 06.0065-2.5IN  | .VELCRO, LOOP 1" BLACK X 2-1/2"      | 1    |
| 15   | 85.B0098       | .BUSHING, STEP 1/4 X 7/8 X 5/16H     | 14   |
| 16   | 99.K0119       | .BOLT, STEP 1/4-20 X 1-1/2 BLK       | 7    |
| 17   | 05.0166        | .SPACER, 1/4 X 1/2 X 3/8L            | 7    |
| 18   | 44.0307        | .WINDOW, REAR 3/16                   | 1    |
| 19   | 06.0072-140IN  | .TRIM, SEAL DOUBLE BULB 3/16" X 140" | 1    |
| 20   | 06.0065-8IN    | .VELCRO, LOOP 1" BLACK X 8"          | 2    |
| 21   | 06.0065-1IN    | .VELCRO, LOOP 1" BLACK X 1"          | 1    |
| 22   | 06.0065-7.75IN | .VELCRO, LOOP 1" BLACK X 7-3/4"      | 2    |
| 23   | 06.0065-1.25IN | .VELCRO, LOOP 1" BLACK X 1-1/4"      | 1    |
| 24   | 06.0065-4IN    | .VELCRO, LOOP 1" BLACK X 4"          | 1    |
| 25   | 44.0324        | .WINDOW, LOWER REAR CANVAS           | 1    |

# PARTS

## ILLUSTRATED DRAWING Right Rear Window



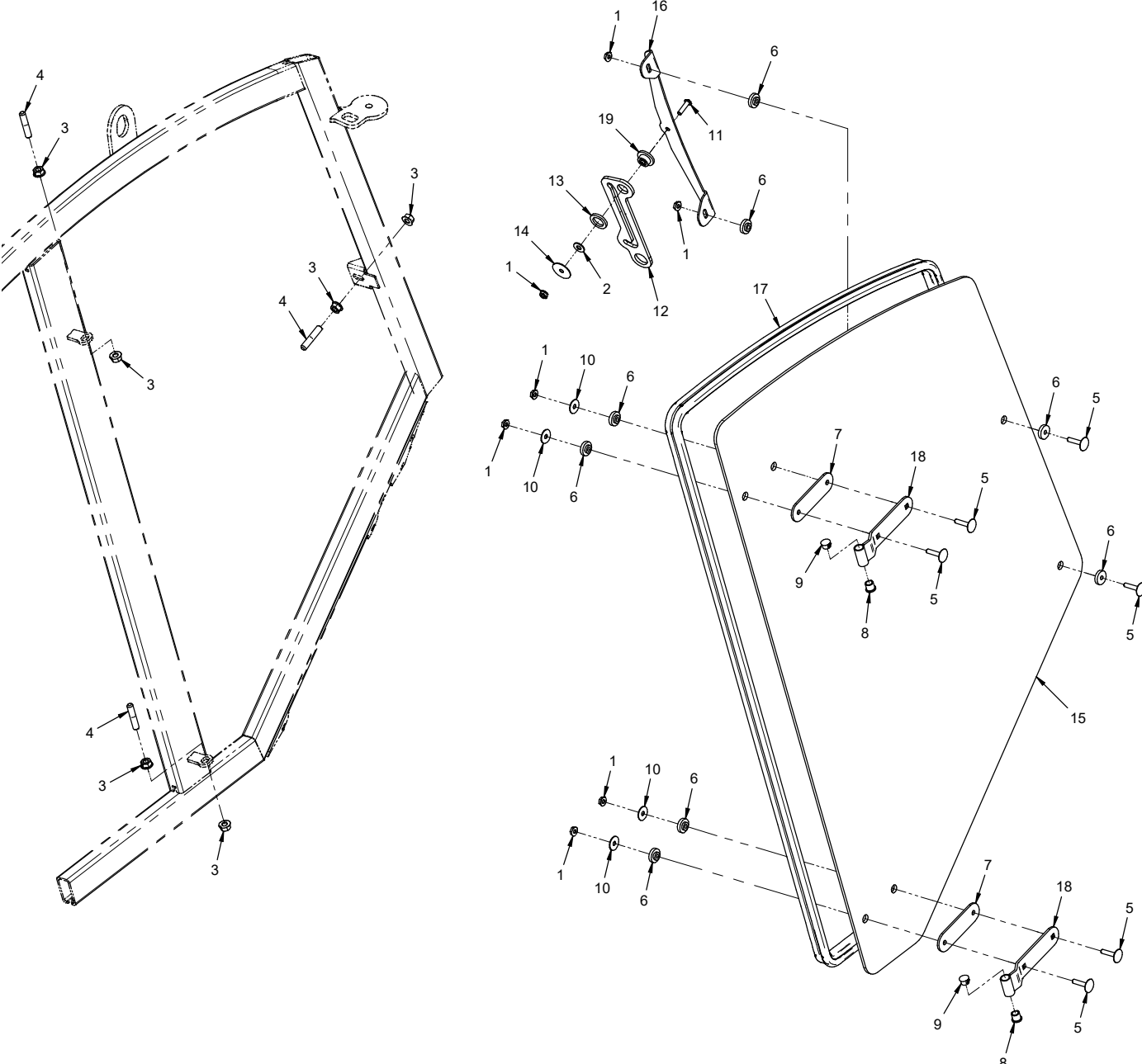
# PARTS

## Right Rear Window

| REF. | PART NO.      | DESCRIPTION                          | QTY. |
|------|---------------|--------------------------------------|------|
| 1    | 99.SF04       | .NUT, SRF 1/4-20 USS                 | 5    |
| 2    | 94.04         | .WASHER, FLAT 1/4 USS                | 1    |
| 3    | 99.SF06       | .NUT, SRF 3/8-16 USS                 | 6    |
| 4    | 99.F0043      | .PIN, HINGE 3/8-16 X 1-7/8 SS        | 3    |
| 5    | 99.K0143      | .BOLT, STEP 1/4-20 X 1 BLK           | 4    |
| 6    | 85.B0098      | .BUSHING, STEP 1/4 X 7/8 X 5/16H     | 8    |
| 7    | 44.0274       | .GASKET, GLASS HINGE MOUNT           | 2    |
| 8    | 85.B0068      | .BUSHING, 3/8 X 1/2 OD X 1/2 LG      | 2    |
| 9    | 05.0070       | .PLUG, 1/2" HOLE, NYLON              | 2    |
| 10   | 05.0125       | .BUMPER, NEOPRENE 1" DIA             | 2    |
| 11   | 99.B0100      | .WASHER, FENDER 1/4 X 7/8 OD ZP      | 4    |
| 12   | 90.0408       | .BOLT, 1/4-20 USS X 1"               | 2    |
| 13   | 64.1952       | .BRACKET, REAR WINDOW LATCH          | 1    |
| 14   | 99.0408       | .BOLT, 1/4-20 X 1 BSCS               | 1    |
| 15   | 40.0403       | .ARM, SIDE WINDOW LATCH              | 1    |
| 16   | 05.0164       | .WASHER, RUBBER EPDM                 | 1    |
| 17   | 99.B0116      | .WASHER, FENDER 1/4 X 1-1/4          | 1    |
| 18   | 44.0294       | .WINDOW, RIGHT REAR 3/16             | 1    |
| 19   | 06.0072-110IN | .TRIM, SEAL DOUBLE BULB 3/16" X 110" | 1    |
| 20   | 64.1480       | .HINGE, GLASS MOUNT                  | 2    |
| 21   | 05.0165       | .GROMMET, FLANGE .28X0.74X0.43T      | 1    |

# PARTS

## ILLUSTRATED DRAWING Right Front Window / Emergency Exit



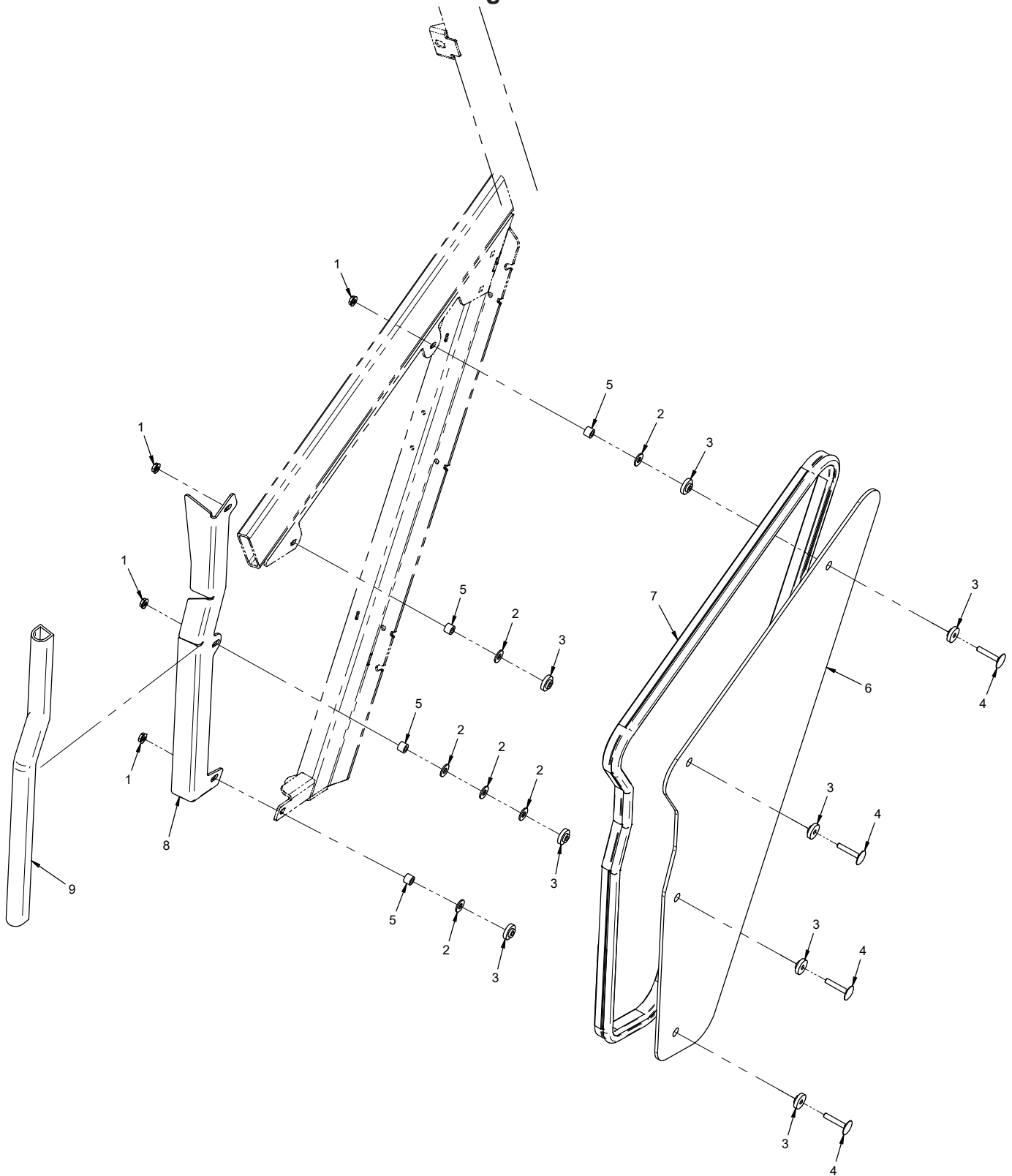
# PARTS

## Right Front Window / Emergency Exit

| REF. | PART NO.      | DESCRIPTION                          | QTY. |
|------|---------------|--------------------------------------|------|
| 1    | 99.SF04       | .NUT, SRF 1/4-20 USS                 | 7    |
| 2    | 94.04         | .WASHER, FLAT 1/4 USS                | 1    |
| 3    | 99.SF06       | .NUT, SRF 3/8-16 USS                 | 6    |
| 4    | 99.F0043      | .PIN, HINGE 3/8-16 X 1-7/8 SS        | 3    |
| 5    | 99.K0143      | .BOLT, STEP 1/4-20 X 1 BLK           | 6    |
| 6    | 85.B0098      | .BUSHING, STEP 1/4 X 7/8 X 5/16H     | 8    |
| 7    | 44.0274       | .GASKET, GLASS HINGE MOUNT           | 2    |
| 8    | 85.B0068      | .BUSHING, 3/8 X 1/2 OD X 1/2 LG      | 2    |
| 9    | 05.0070       | .PLUG, 1/2" HOLE, NYLON              | 2    |
| 10   | 99.B0100      | .WASHER, FENDER 1/4 X 7/8 OD ZP      | 4    |
| 11   | 99.0408       | .BOLT, 1/4-20 X 1 BSCS               | 1    |
| 12   | 40.0403       | .ARM, SIDE WINDOW LATCH              | 1    |
| 13   | 05.0164       | .WASHER, RUBBER EPDM                 | 1    |
| 14   | 99.B0116      | .WASHER, FENDER 1/4 X 1-1/4          | 1    |
| 15   | 44.0295       | .WINDOW, RIGHT FRONT ESC 3/16        | 1    |
| 16   | 64.1953       | .BRACKET, ESCAPE WINDOW LATCH        | 1    |
| 17   | 06.0072-126IN | .TRIM, SEAL DOUBLE BULB 3/16" X 126" | 1    |
| 18   | 64.1480       | .HINGE, GLASS MOUNT                  | 2    |
| 19   | 05.0165       | .GROMMET, FLANGE .28X0.74X0.43T      | 1    |

# PARTS

## ILLUSTRATED DRAWING Lower Right Window





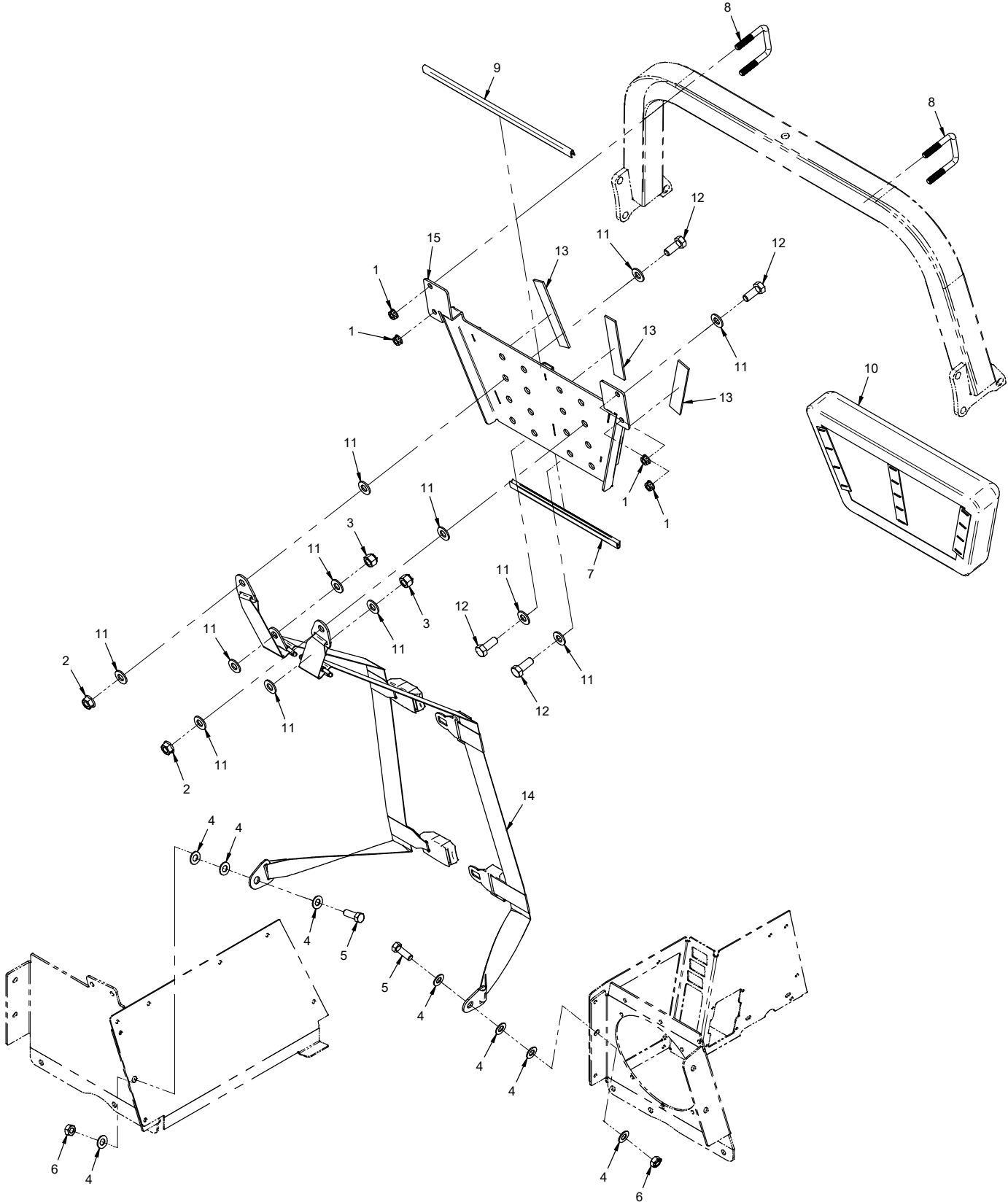
# PARTS

## Lower Right Window

| REF. | PART NO.     | DESCRIPTION                         | QTY. |
|------|--------------|-------------------------------------|------|
| 1    | 99.SF04      | .NUT, SRF 1/4-20 USS                | 4    |
| 2    | 94.04        | .WASHER, FLAT 1/4 USS               | 6    |
| 3    | 85.B0098     | .BUSHING, STEP 1/4 X 7/8 X 5/16H    | 8    |
| 4    | 99.K0119     | .BOLT, STEP 1/4-20 X 1-1/2 BLK      | 4    |
| 5    | 05.0166      | .SPACER, 1/4 X 1/2 X 3/8L           | 4    |
| 6    | 44.0296      | .WINDOW, RIGHT LOWER 3/16           | 1    |
| 7    | 06.0072-88IN | .TRIM, SEAL DOUBLE BULB 3/16" X 88" | 1    |
| 8    | 64.1495      | .BRACKET, WINDOW RIGHT LOWER        | 1    |
| 9    | 06.0064-24IN | .WEATHERSTRIP, 1 X1 D-SHAPE X 24"L  | 1    |

# PARTS

## ILLUSTRATED DRAWING Four Point Seatbelt



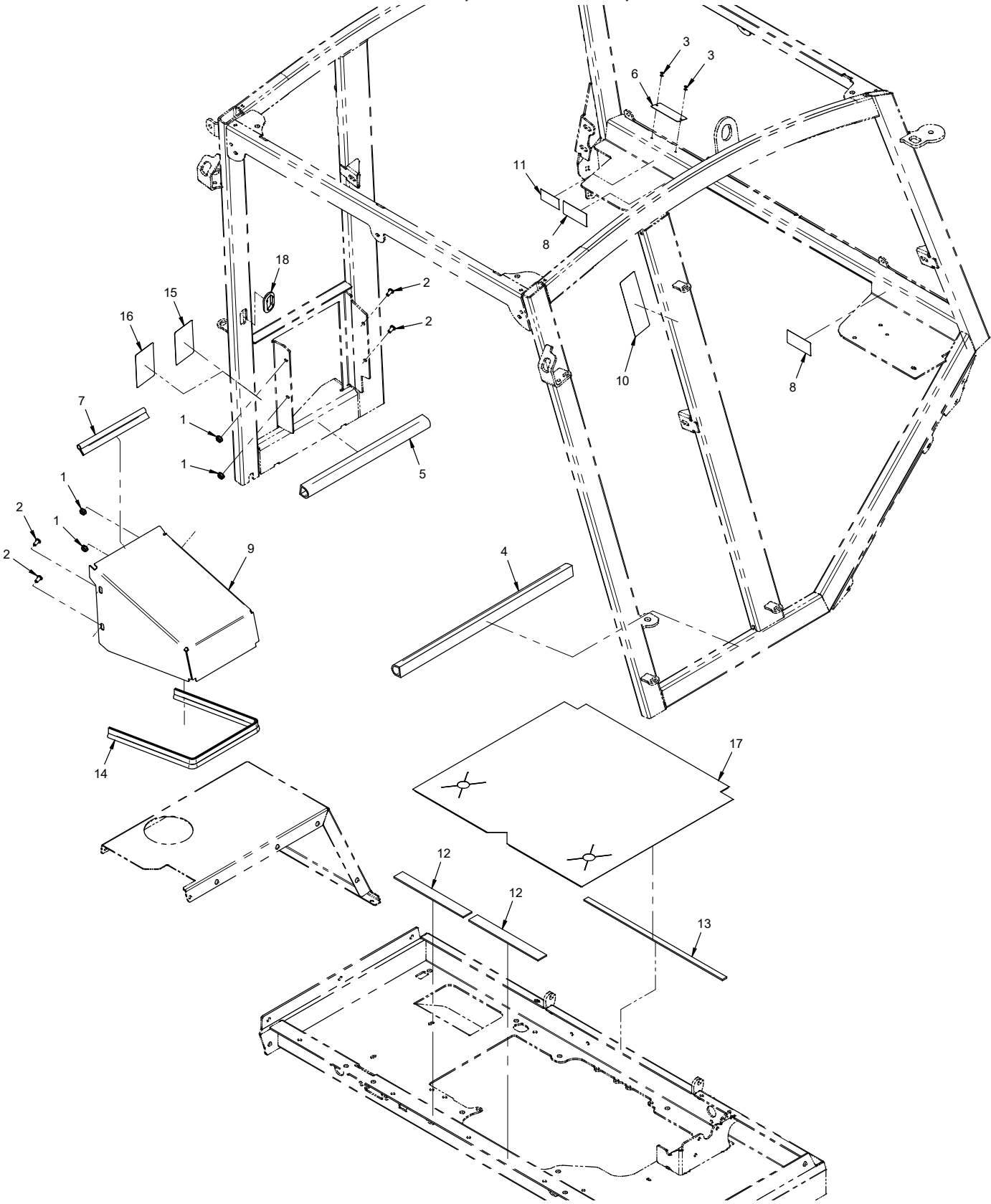
# PARTS

## Four Point Seatbelt

| REF. | PART NO.        | DESCRIPTION                         | QTY. |
|------|-----------------|-------------------------------------|------|
| 1    | 99.E0082        | NUT, LOCKING FLANGE 3/8-16          | 4    |
| 2    | 99.SF08         | NUT, SRF 1/2-13 USS                 | 2    |
| 3    | 99.A08N         | LOCKNUT, NYLON 1/2-13 USS           | 2    |
| 4    | 95.07           | WASHER, FLAT 7/16 SAE               | 8    |
| 5    | 90.0710         | BOLT, 7/16-14 USS X 1-1/4           | 2    |
| 6    | 99.A07          | LOCKNUT, STOVER 7/16-14 USS         | 2    |
| 7    | 06.0050-11.88IN | TRIM, TRIM LOC 1/2 X 3/16 X 11-7/8" | 1    |
| 8    | 11.0053         | U-BOLT, 3/8-16 2-1/16" ID SQ        | 2    |
| 9    | 06.0050-14.88IN | TRIM, TRIM LOC 1/2 X 3/16 X 14-7/8" | 1    |
| 10   | 47.0288         | CUSHION, HEADREST                   | 1    |
| 11   | 95.08           | WASHER, FLAT 1/2 SAE                | 12   |
| 12   | 90.0810         | BOLT, 1/2-13 USS X 1-1/4            | 4    |
| 13   | 06.0065-6IN     | VELCRO, LOOP 1" BLACK X 6"          | 3    |
| 14   | 47.0280         | SEAT BELT, 4 POINT                  | 1    |
| 15   | 64.1490         | MOUNT, SEATBELT UPPER               | 1    |

# PARTS

## ILLUSTRATED DRAWING Fuel Tank Cover, Frame Seals, Decals



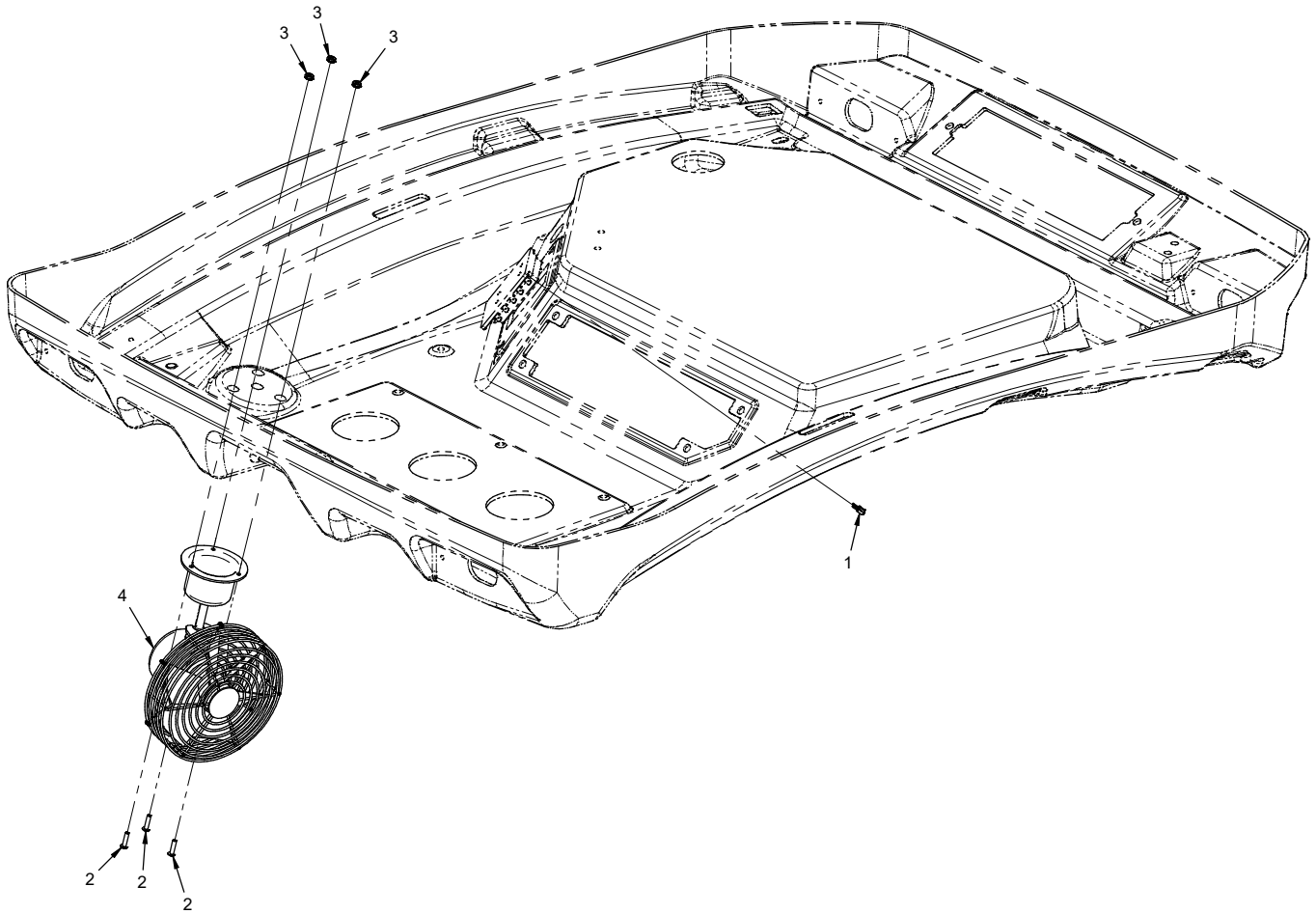
# PARTS

## Fuel Tank Cover, Frame Seals, Decals

| REF. | PART NO.       | DESCRIPTION                                       | QTY. |
|------|----------------|---|------|
| 1    | 99.SF04        | NUT, SRF 1/4-20 USS                               | 4    |
| 2    | 99.0404        | BOLT, 1/4-20 X 1/2 BSCS                           | 4    |
| 3    | 04.0029        | RIVET, POP 1/8" X 1/4" SS                         | 2    |
| 4    | 06.0064-20IN   | WEATHERSTRIP, 1 X1 D-SHAPE X 20"                  | 1    |
| 5    | 06.0064-14IN   | WEATHERSTRIP, 1 X1 D-SHAPE X 14"                  | 1    |
| 6    | N/A            | PLATE, VENTRAC SERIAL NUMBER                      | 1    |
| 7    | 06.0043-7.5IN  | TRIM, 7/16" BULB SEAL TOP 1/16T X 7-1/2"          | 1    |
| 8    | 00.0218        | DECAL, WARNING PINCH POINT (Serial # 01001-04053) | 2    |
| 8    | 00.0364        | DECAL, WARNING PINCH POINT (Serial # 04054-)      | 2    |
| 9    | 60.1177        | COVER, FUEL TANK KW450                            | 1    |
| 10   | 00.0420        | DECAL, WARNING                                    | 1    |
| 11   | 00.0100        | DECAL, BUILT IN THE USA                           | 1    |
| 12   | 06.0065-8IN    | VELCRO, LOOP 1" BLACK X 8"                        | 2    |
| 13   | 06.0071-16IN   | VELCRO, LOOP 1/2" BLACK X 16"                     | 1    |
| 14   | 06.0043-21.5IN | TRIM, 7/16" BULB SEAL TOP 1/16T X 21-1/2"         | 1    |
| 15   | 00.0332        | DECAL, GASOLINE ONLY (Serial # 01001-04053)       | 1    |
| 15   | 00.0457        | DECAL, GASOLINE SAFETY (Serial # 04054-)          | 1    |
| 16   | 00.0333        | DECAL, DIESEL ONLY (Serial # 01001-04053)         | 1    |
| 16   | 00.0637        | DECAL, DIESEL SAFETY (Serial # 04054-)            | 1    |
| 17   | 44.0327        | CANVAS, REAR FRAME                                | 1    |
| 18   | 05.0060        | GROMMET, 1-1/8 ID, 1-3/4 OD                       | 1    |

# PARTS

## ILLUSTRATED DRAWING 70.2006-6 Defrost Fan Kit



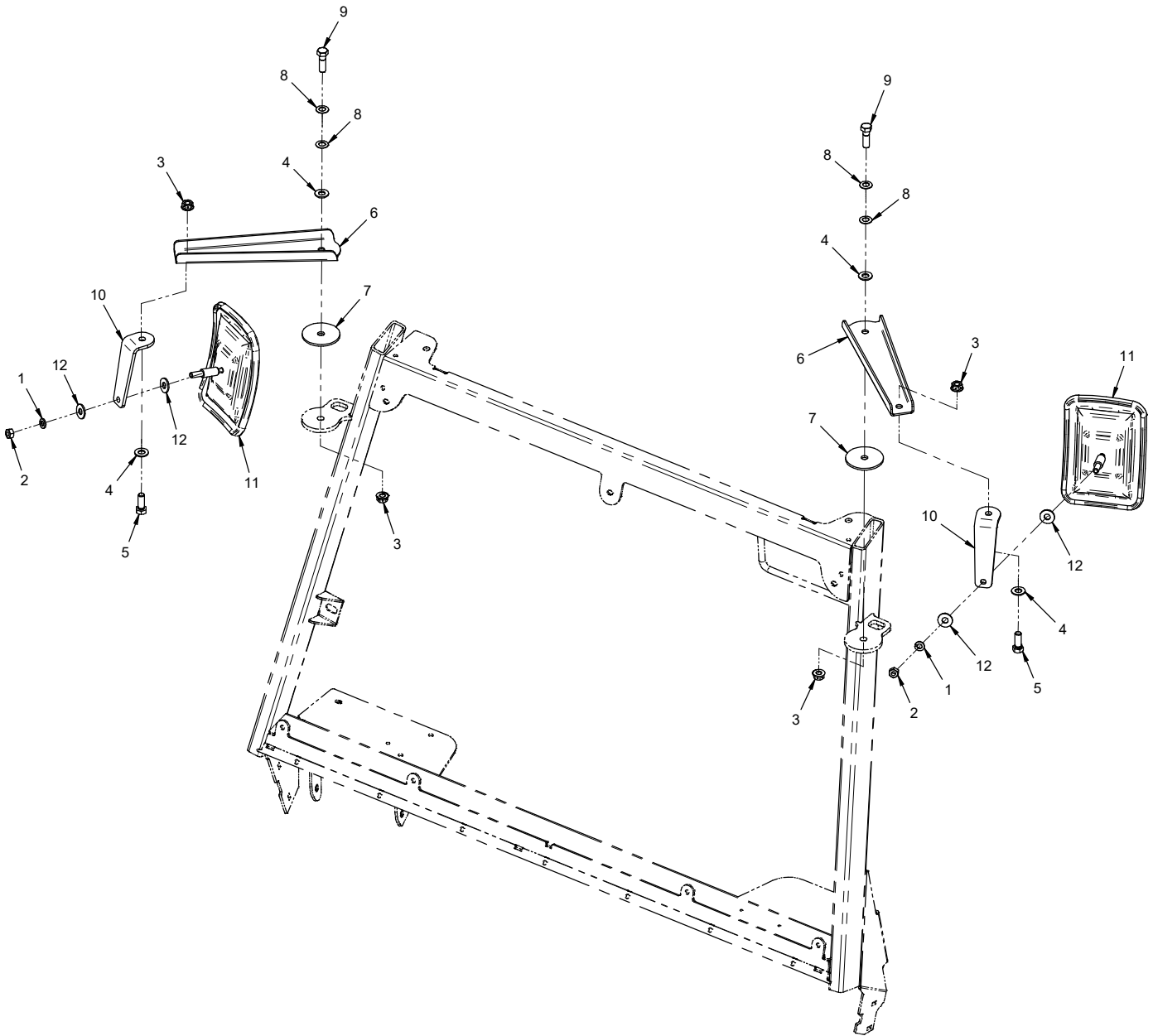
# PARTS

## 70.2006-6 Defrost Fan Kit

| REF. | PART NO. | DESCRIPTION                   | QTY. |
|------|----------|-------------------------------|------|
| 1    | 30.0317  | FUSE, 10 AMP ATC BLADE - RED  | 1    |
| 2    | 99.K0047 | MACHINE SCREW, #10-32 X 3/4.  | 3    |
| 3    | 99.E0049 | NUT, WASHER #10-32 (STAR NUT) | 3    |
| 4    | 37.0051  | FAN, DEFROSTER                | 1    |

# PARTS

## ILLUSTRATED DRAWING 70.2006-4 Mirror Kit





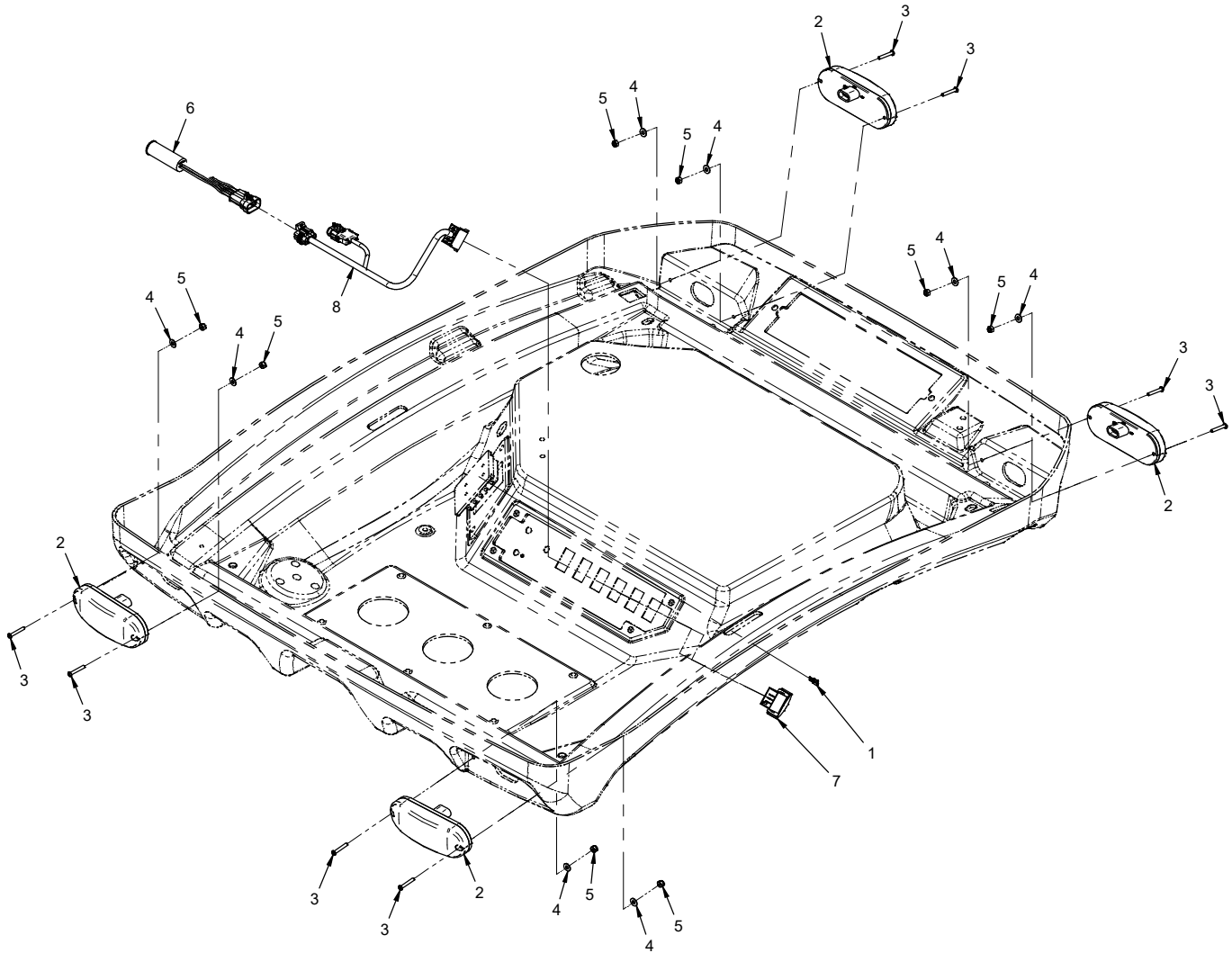
# PARTS

## 70.2006-4 Mirror Kit

| REF. | PART NO. | DESCRIPTION                  | QTY. |
|------|----------|------------------------------|------|
| 1    | 96.05    | WASHER, LOCK 5/16            | 2    |
| 2    | 99.M0025 | NUT, M8 X 1.25MM             | 2    |
| 3    | 99.E0082 | NUT, LOCKING FLANGE 3/8-16   | 4    |
| 4    | 95.06    | WASHER, FLAT 3/8 SAE         | 4    |
| 5    | 90.0608  | BOLT, 3/8-16 USS X 1         | 2    |
| 6    | 64.1496  | BRACKET, MIRROR ARM          | 2    |
| 7    | 05.0002  | WASHER, FRIC. 2-1/4 X 3/8    | 2    |
| 8    | 41.0099  | SPRING, DISC 3/8 ID X 3/4 OD | 4    |
| 9    | 90.0610  | BOLT, 3/8-16 USS X 1-1/4     | 2    |
| 10   | 64.1497  | BRACKET, MIRROR MOUNT        | 2    |
| 11   | 47.0290  | MIRROR, CONVEX 5" X 7"       | 2    |
| 12   | 94.05    | WASHER, FLAT 5/16 USS        | 4    |

# PARTS

## ILLUSTRATED DRAWING 70.8162 Cab Hazard Lights Kit



# PARTS

## 70.8162 Cab Hazard Lights Kit

| REF. | PART NO.  | DESCRIPTION                     | QTY. |
|------|-----------|---------------------------------|------|
| 1    | 30.0187   | .FUSE, 5 AMP ATC BLADE - TAN    | 1    |
| 2    | 33.0070   | .LIGHT, SIGNAL AMBER            | 4    |
| 3    | 99.K0144  | .MACHINE SCREW, #10-32 X 1-1/4  | 8    |
| 4    | 99.B0051  | .WASHER, FLAT #10               | 8    |
| 5    | 99.A1032N | .LOCKNUT, NYLON 10-32 STAINLESS | 8    |
| 6    | 35.0127   | .MODULE, DIRECTIONAL LIGHT      | 1    |
| 7    | 31.0053   | .SWITCH, ROCKER ON/OFF          | 1    |
| 8    | 32.0176   | .HARNESS, WIRE HAZARD           | 1    |



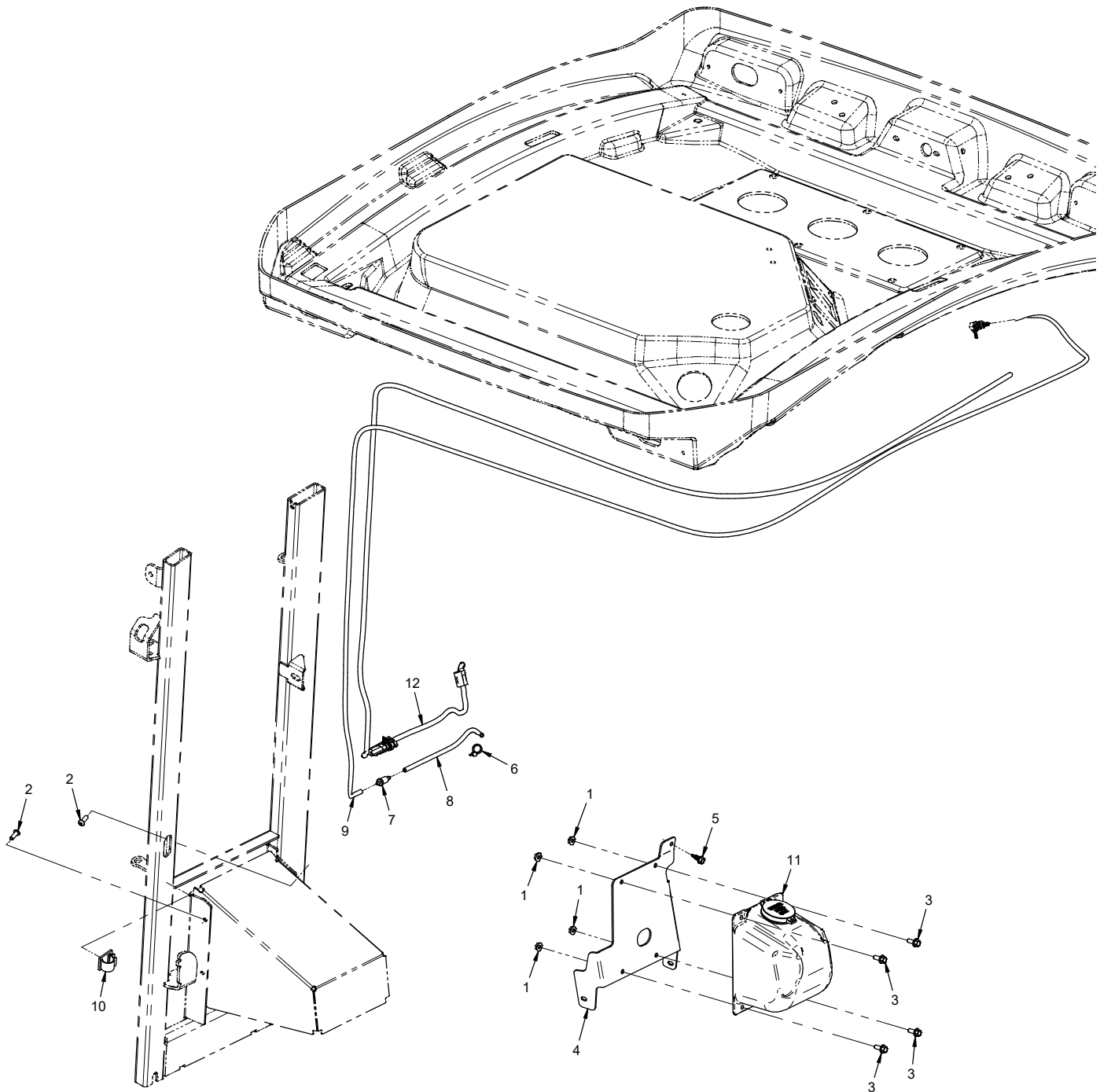
# PARTS

## 70.8161 Strobe Light Kit

| REF. | PART NO.    | DESCRIPTION                       | QTY. |
|------|-------------|-----------------------------------|------|
| 1    | 30.0187     | .FUSE, 5 AMP ATC BLADE - TAN      | 1    |
| 2    | 99.SF04     | .NUT, SRF 1/4-20 USS              | 5    |
| 3    | 95.05       | .WASHER, FLAT 5/16 SAE            | 4    |
| 4    | 99.K0062    | .MACHINE SCREW, #10-32 X 1/2      | 2    |
| 5    | 99.A1032N   | .LOCKNUT, NYLON 10-32 STAINLESS   | 6    |
| 6    | 99.SF05     | .NUT, SRF 5/16-18 USS             | 1    |
| 7    | 90.0506     | .BOLT, 5/16-18 USS X 3/4"         | 1    |
| 8    | 99.K0119    | .BOLT, STEP 1/4-20 X 1-1/2 BLK    | 2    |
| 9    | 99.SF0405-1 | .BOLT, SMF 1/4-20 X 5/8           | 5    |
| 10   | 99.B0100    | .WASHER, FENDER 1/4 X 7/8 OD ZP   | 1    |
| 11   | 64.1949     | .BRACKET, STROBE MOUNT KW452      | 1    |
| 12   | 64.1946     | .BRACKET, STROBE PIVOT / LATCH    | 1    |
| 13   | 05.0167     | .WASHER, FRIC. 2.25X0.34X3/16T    | 1    |
| 14   | 41.0108     | .SPRING, COMP. .531 OD X .780 LG. | 1    |
| 15   | 99.A05N     | .LOCKNUT, NYLON 5/16-18 USS       | 1    |
| 16   | 90.0514     | .BOLT, 5/16-18 USS X 1-3/4"       | 1    |
| 17   | 33.0073     | .LIGHT, STROBE AMBER              | 1    |
| 18   | 99.K0071    | .MACHINE SCREW, #10-32 X 5/8      | 4    |
| 19   | 64.1948     | .BUSHING, SPRING ARM              | 2    |
| 20   | 99.A04      | .LOCKNUT, STOVER 1/4-20 USS       | 2    |
| 21   | 85.B0062    | .BUSHING, 1/2 ID X 5/8 OD X 1     | 1    |
| 22   | 99.B0115    | .WASHER, FENDER 1/4 X 1-1/2       | 1    |
| 23   | 41.0083-1   | .SPRING, TORSION RH 1-3/16X5.18   | 1    |
| 24   | 06.0083     | .CAP, VINYL 3/16" ID X 1/2        | 1    |
| 25   | 30.0143     | .CLAMP, WIRE MT 5/16 NYLON WHT    | 2    |
| 26   | 31.0053     | .SWITCH, ROCKER ON/OFF            | 1    |
| 27   | 62.1469     | .FRAME, STROBE PIVOT ARM          | 1    |
| 28   | 40.0402     | .ARM, SPRING LATCH                | 1    |

# PARTS

## ILLUSTRATED DRAWING 70.8148 Windshield Washer Kit



# PARTS

## 70.8148 Windshield Washer Kit

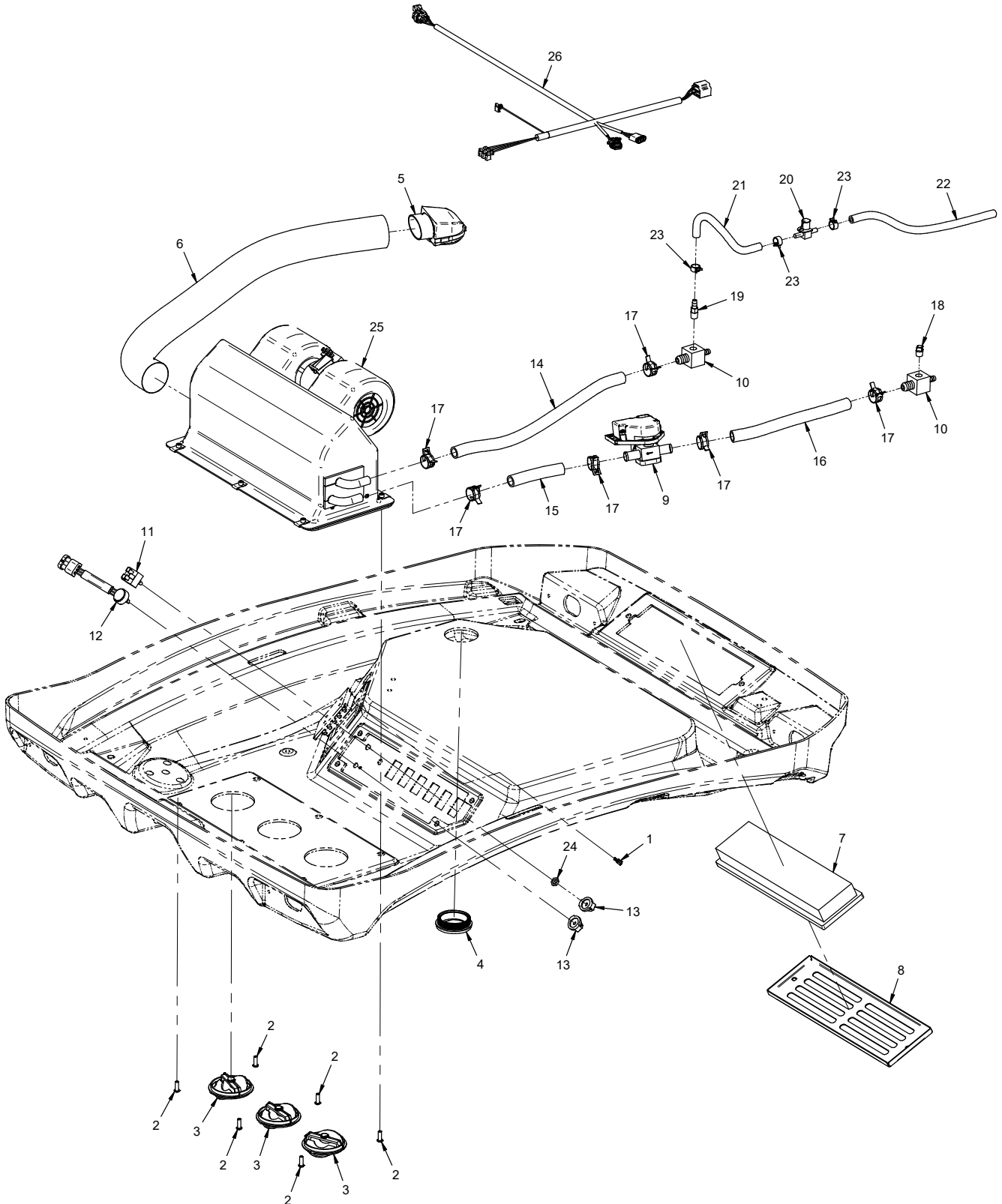
| REF. | PART NO.    | DESCRIPTION                      | QTY. |
|------|-------------|----------------------------------|------|
| 1    | 99.SF04     | .NUT, SRF 1/4-20 USS             | 4    |
| 2    | 99.0406     | .BOLT, 1/4-20 X 3/4 BSCS         | 2    |
| 3    | 99.SF0405-1 | .BOLT, SMF 1/4-20 X 5/8          | 4    |
| 4    | 64.1954     | .MOUNT, WINDSHIELD WASHER TANK   | 1    |
| 5    | 99.K0141    | .SCREW, SELF DRILLING 1/4 X 3/4  | 1    |
| 6    | 30.0037     | .TYTON TIE, #50 .18 X 8 BLACK    | 4    |
| 7    | 23.0169     | .VALVE, CHECK 5/32" INLINE       | 1    |
| 8    | 27.0003     | .TUBING, WINDSHIELD WASHER X 1'  | 1    |
| 9    | 27.0002     | .TUBING, WINDSHIELD WASHER X 12' | 1    |
| 10   | 30.0498     | .CLAMP, WIRE MT ADH. 3/4" GRAY   | 1    |
| 11   | 47.0382     | .RESERVOIR, WINDSHIELD WASHER    | 1    |
| 12   | 32.0175     | .HARNESS, WIRE WINDSHLD WASHER.  | 1    |

# PARTS

## ILLUSTRATED DRAWING

### 70.8160 Console Fan/Heater Kit

(Cabs with serial # 01287 and higher include the heater as standard equipment)





# PARTS

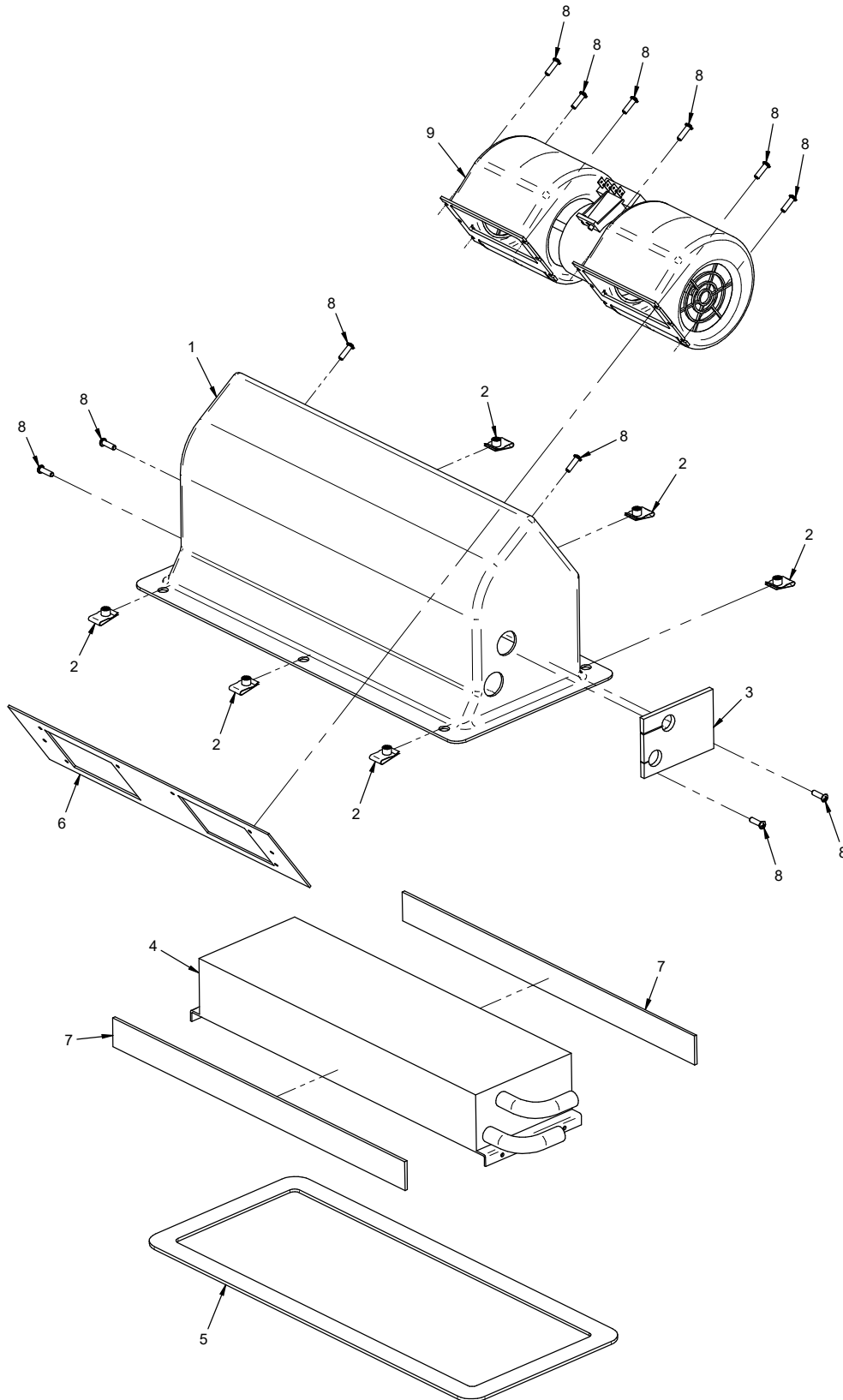
## 70.8160 Console Fan/Heater Kit

(Cabs with serial # 01287 and higher include the heater as standard equipment)

| REF. | PART NO.      | DESCRIPTION                     | QTY. |
|------|---------------|---------------------------------|------|
| 1    | 30.0317       | .FUSE, 10 AMP ATC BLADE - RED   | 1    |
| 2    | 99.0406       | .BOLT, 1/4-20 X 3/4 BSCS        | 6    |
| 3    | 47.0380       | .VENT, LOUVER 3"                | 3    |
| 4    | 47.0390       | .VENT, LOUVER 2-1/2"            | 1    |
| 5    | 47.0391       | .DUCT, 90 DEG FOR 47.0390       | 1    |
| 6    | 47.0392       | .DUCT, FLEXIBLE 2-1/2"          | 1    |
| 7    | 47.0383       | .FILTER, AIR                    | 1    |
| 8    | 47.0384       | .RETAINER, AIR FILTER VENTED    | 1    |
| 9    | 47.0389       | .VALVE, ELECTRONIC TEMP CONTROL | 1    |
| 10   | 29.BF0610FP04 | .FITTING, TEE 3/8 X 5/8 X 04NPT | 2    |
| 11   | 31.0066       | .SWITCH, FAN SPEED              | 1    |
| 12   | 31.0067       | .SWITCH, TEMPERATURE            | 1    |
| 13   | 47.0386       | .KNOB, FAN SPEED / TEMPERATURE  | 2    |
| 14   | 47.0405       | .HOSE, HEATER 5/8 X 20" L       | 1    |
| 15   | 47.0404       | .HOSE, HEATER 5/8 X 5" L        | 1    |
| 16   | 47.0406       | .HOSE, HEATER 5/8 X 23" L       | 1    |
| 17   | 11.0079       | .CLAMP, SPRING 5/8" HEATER HOSE | 6    |
| 18   | 29.P04        | .PIPE, PLUG 1/4" SQ             | 1    |
| 19   | 29.BF05MP04   | .FITTING, 5/16 BARB X 1/4 MP ST | 1    |
| 20   | 47.0328       | .VALVE, FUEL SHUT OFF 5/16"     | 1    |
| 21   | 27.F05-6IN    | .HOSE, FUEL LINE X 5/16 X 6"    | 1    |
| 22   | 27.F05-18IN   | .HOSE, FUEL LINE X 5/16 X 18"   | 1    |
| 23   | 11.0048       | .CLAMP, HOSE BAND 9/16" OD HOSE | 3    |
| 24   | 99.E0121      | .NUT, PANEL 7/16-28 UNEF        | 1    |
| 25   | N/A           | .HEATER, BLOWER ASSEMBLY        | 1    |
| 26   | 32.0174       | .HARNES, WIRE HEATER KIT        | 1    |

# PARTS

## ILLUSTRATED DRAWING Heater Blower Assembly



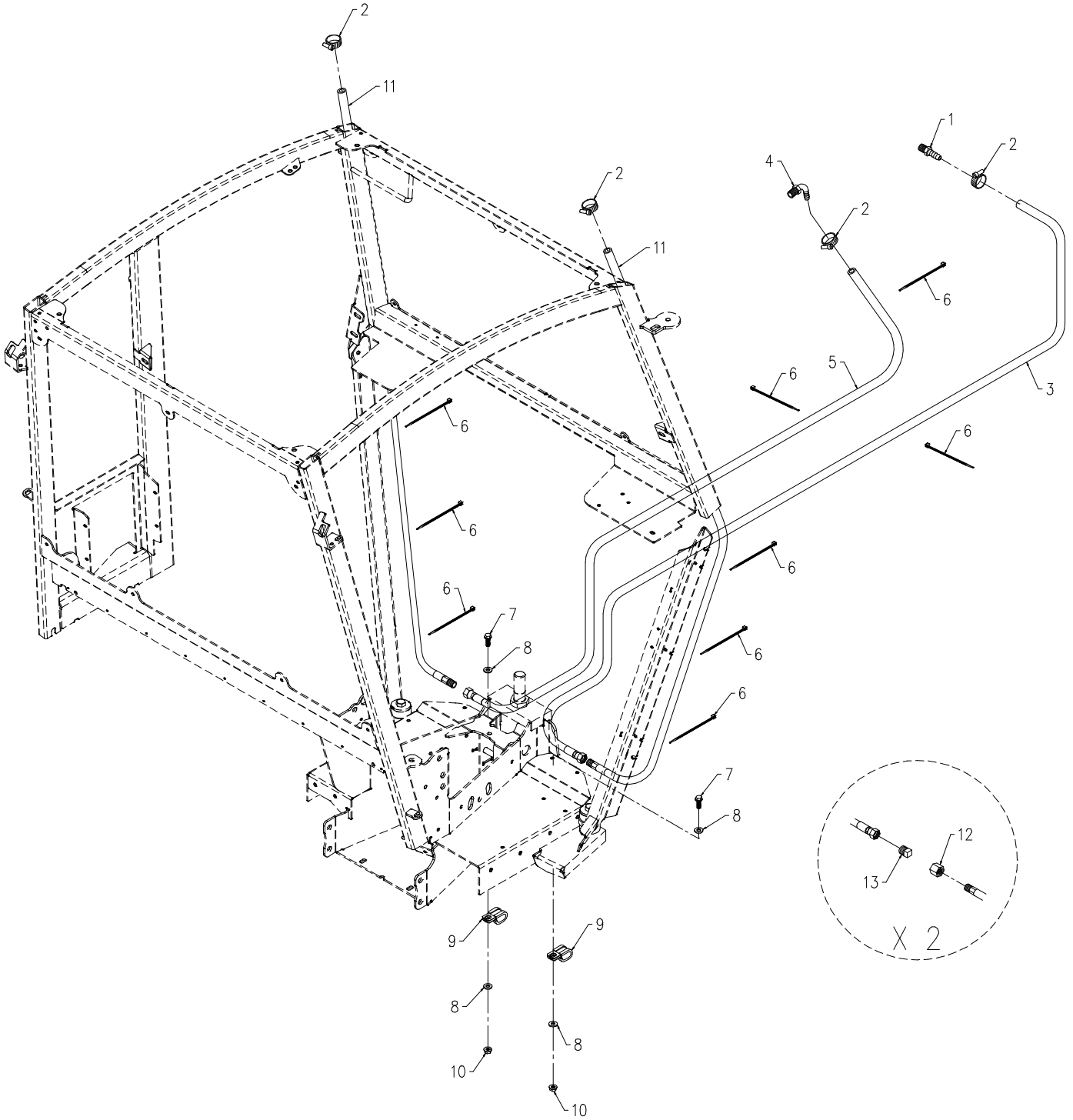
# PARTS

## Heater Blower Assembly

| REF. | PART NO. | DESCRIPTION                  | QTY. |
|------|----------|------------------------------|------|
| 1    | 47.0407  | .HOUSING, HEATER             | 1    |
| 2    | 99.E0046 | .NUT, "U" 1/4-20 EXTRUDED    | 6    |
| 3    | 44.0386  | .FOAM, COIL SEAL             | 1    |
| 4    | 47.0387  | .CORE, HEATER                | 1    |
| 5    | 44.0366  | .GASKET, BLOWER HOUSING      | 1    |
| 6    | 47.0408  | .PLATE, BLOWER BRACKET       | 1    |
| 7    | 44.0387  | .FOAM, HEATER CORE SEAL      | 2    |
| 8    | 99.K0147 | .SCREW, #8 X 5/8 FOR PLASTIC | 12   |
| 9    | 47.0394  | .BLOWER, HEATER              | 1    |

# PARTS

## ILLUSTRATED DRAWING 70.8136 Kubota Heater Install Kit 4500Y, 4500Z, 4520Y, and 4520Z



# PARTS

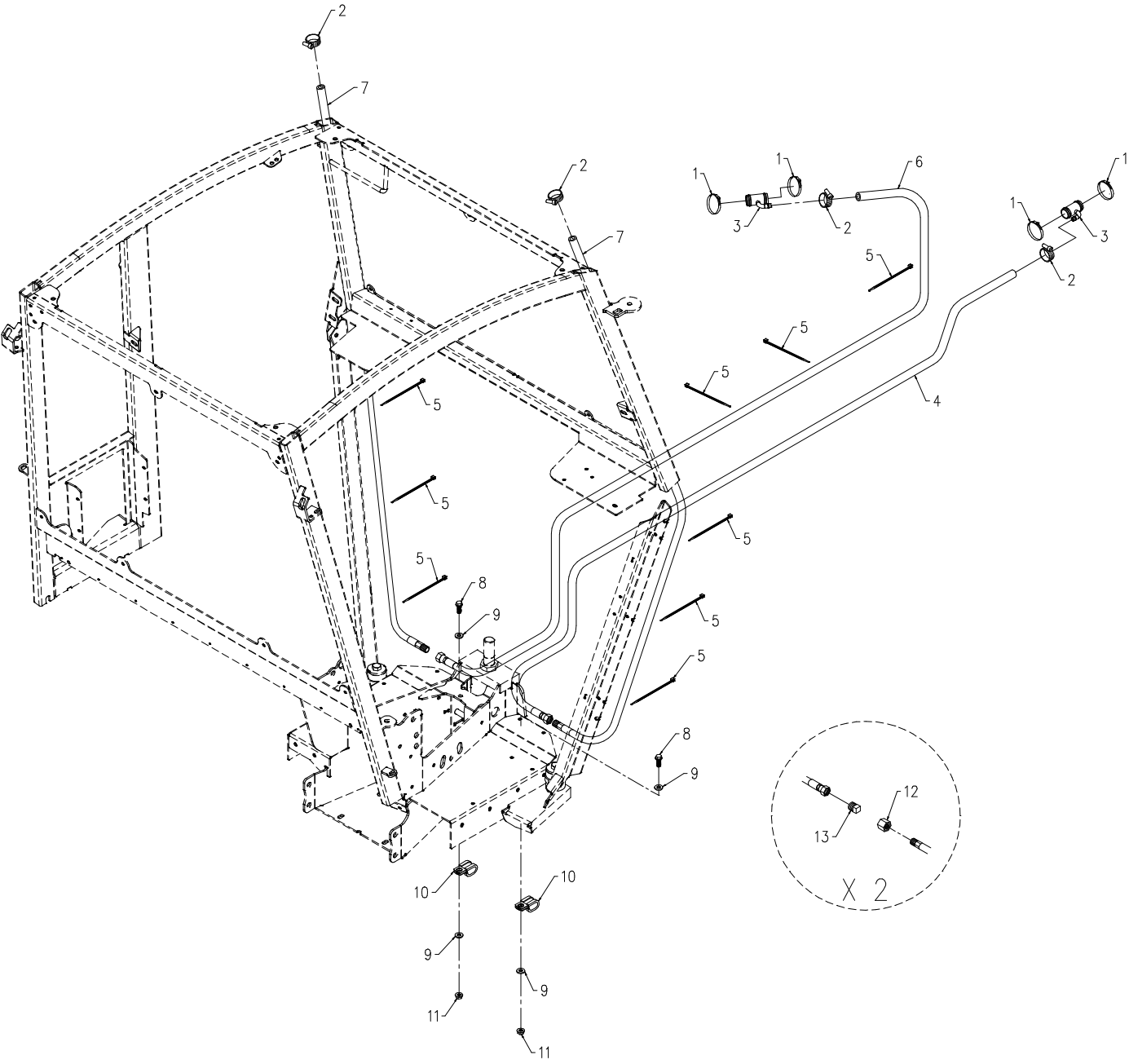
## 70.8136 Kubota Heater Install Kit 4500Y, 4500Z, 4520Y, and 4520Z

| REF. | PART NO.       | DESCRIPTION                    | QTY. |
|------|----------------|--------------------------------|------|
| 1    | 29.BF06MBSPT06 | .FITTING, 3/8 BRB X 3/8 M BSPT | 1    |
| 2    | 11.0032        | .CLAMP, HOSE SS 7/16 TO 25/32  | 4    |
| 3    | 22.0064        | .HOSE, 3/8x45.00 HTR SAE J20R3 | 1    |
| 4    | 29.BF06MP0490  | .FITTING, 3/8 BARB X 1/4 MP 90 | 1    |
| 5    | 22.0065        | .HOSE, 3/8x28.50 HTR SAE J20R3 | 1    |
| 6    | 30.0037        | .TYTON TIE, #50 .18 X 8 BLACK  | 10   |
| 7    | 99.SF0406      | .BOLT, SRF 1/4-20 X 3/4        | 2    |
| 8    | 94.04          | .WASHER, FLAT 1/4 USS          | 4    |
| 9    | 11.0046        | .CLAMP, CUSHIONED 1/2" 2-TUBE  | 2    |
| 10   | 99.SF04        | .NUT, SRF 1/4-20 USS           | 2    |
| 11   | 22.0045        | .HOSE, 3/8x94.00 HTR SAE J20R3 | 2    |
| 12   | 25.304-C-06^   | .FITTING, CAP 3/8 #6 JIC       | 2    |
| 13   | 25.2408-06^    | .FITTING, PLUG -6 MJIC         | 2    |

^These fittings are used to plug the hoses when the cab is removed from the power unit.

# PARTS

## ILLUSTRATED DRAWING 70.8137 Kawasaki Heater Install Kit 4500P and 4520P



# PARTS

## 70.8137 Kawasaki Heater Install Kit 4500P and 4520P

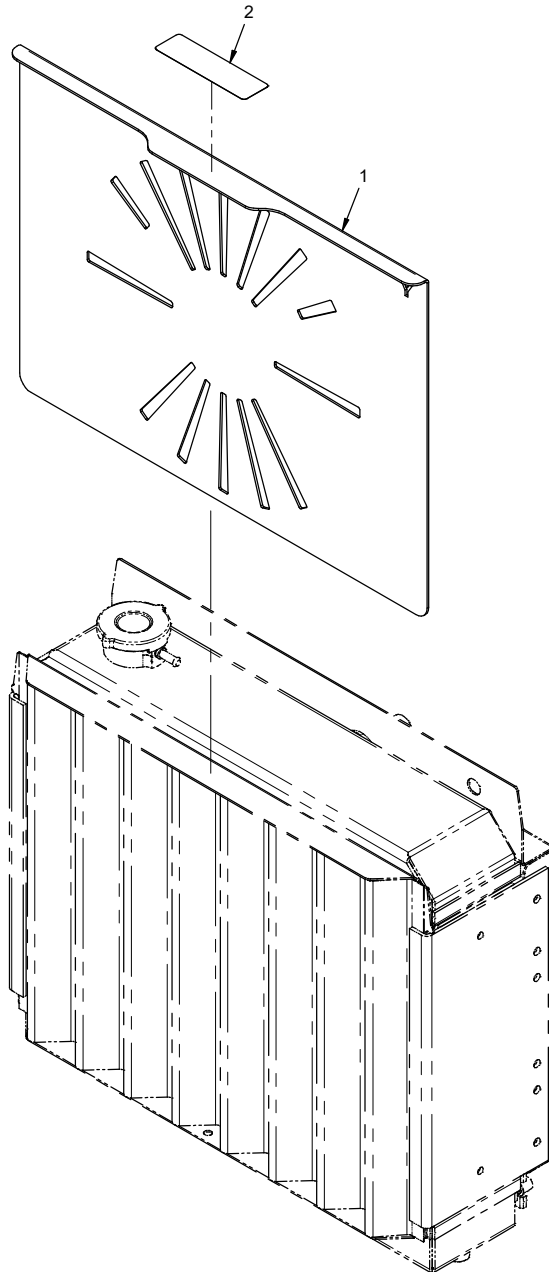
| REF. | PART NO.     | DESCRIPTION                    | QTY. |
|------|--------------|--------------------------------|------|
| 1    | 11.0052      | .CLAMP, HOSE SS 13/16 TO 1-1/2 | 4    |
| 2    | 11.0032      | .CLAMP, HOSE SS 7/16 TO 25/32  | 4    |
| 3    | 47.0293      | .TUBE, KAW. RAD. W/HEATER PORT | 2    |
| 4    | 22.0048      | .HOSE, 3/8x38.00 HTR SAE J20R3 | 1    |
| 5    | 30.0037      | .TYTON TIE, #50 .18 X 8 BLACK  | 10   |
| 6    | 22.0046      | .HOSE, 3/8x50.00 HTR SAE J20R3 | 1    |
| 7    | 22.0045      | .HOSE, 3/8x94.00 HTR SAE J20R3 | 2    |
| 8    | 99.SF0406    | .BOLT, SRF 1/4-20 X 3/4        | 2    |
| 9    | 94.04        | .WASHER, FLAT 1/4 USS          | 4    |
| 10   | 11.0046      | .CLAMP, CUSHIONED 1/2" 2-TUBE  | 2    |
| 11   | 99.SF04      | .NUT, SRF 1/4-20 USS           | 2    |
| 12   | 25.304-C-06^ | .FITTING, CAP 3/8 #6 JIC       | 2    |
| 13   | 25.2408-06^  | .FITTING, PLUG -6 MJIC         | 2    |

^These fittings are used to plug the hoses when the cab is removed from the power unit.

# PARTS

## ILLUSTRATED DRAWING

70.4146 Kubota Radiator Baffle Kit  
4520Y, 4520Z, 4500Y, and 4500Z (Serial # 05311-)





# PARTS

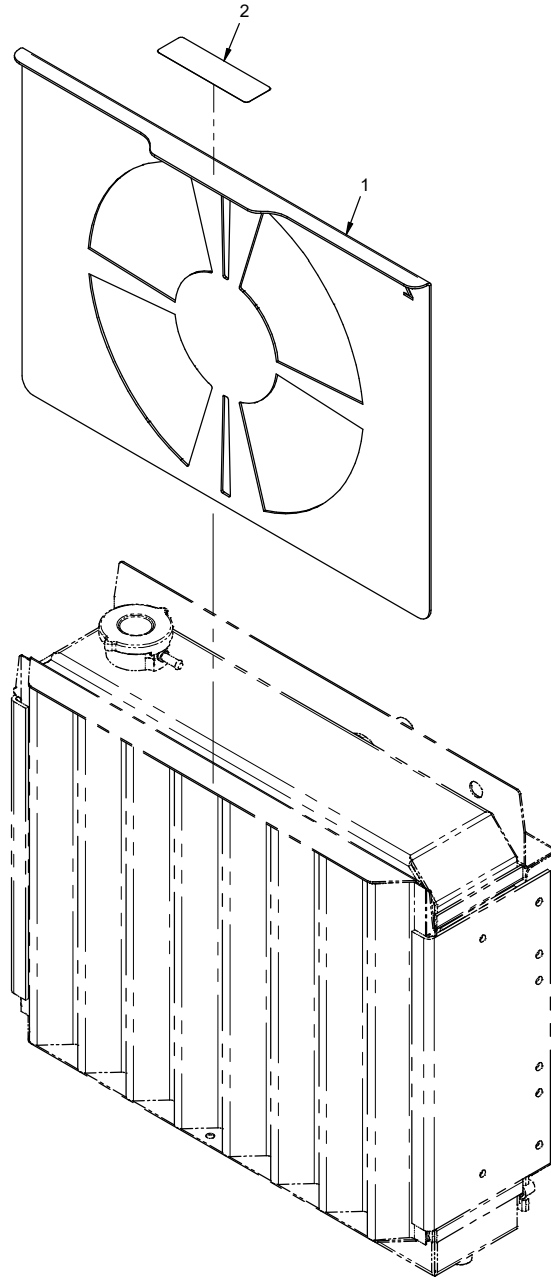
**70.4146 Kubota Radiator Baffle Kit  
4520Y, 4520Z, 4500Y, and 4500Z (Serial # 05311-)**

| REF. | PART NO. | DESCRIPTION                 | QTY. |
|------|----------|-----------------------------|------|
| 1    | 70.4146  | .KIT, RADIATOR BAFFLE 4500Y | 1    |
| 2    | 00.0422  | .DECAL, CAUTION 4500Y       | 1    |

# PARTS

---

## ILLUSTRATED DRAWING 70.4147 Kubota Radiator Baffle Kit 4500Z (Serial # 01001-05310)



# PARTS

## 70.4147 Kubota Radiator Baffle Kit 4500Z (Serial # 01001-05310)

| REF. | PART NO. | DESCRIPTION                 | QTY. |
|------|----------|-----------------------------|------|
| 1    | 70.4147  | .KIT, RADIATOR BAFFLE 4500Z | 1    |
| 2    | 00.0423  | .DECAL, CAUTION 4500Z       | 1    |