

Parts Manual

MW562

Fine Cut Flail Mower





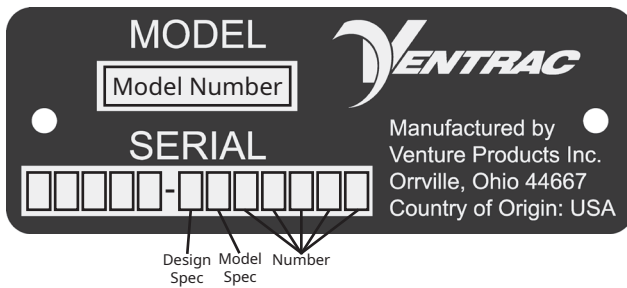
500 Venture Drive
Orrville Oh 44667
www.ventrac.com

View all manuals



Visit ventrac.com/manuals for the latest version of this parts manual. A downloadable operator's manual is also available.

Serial Number Description



Notes

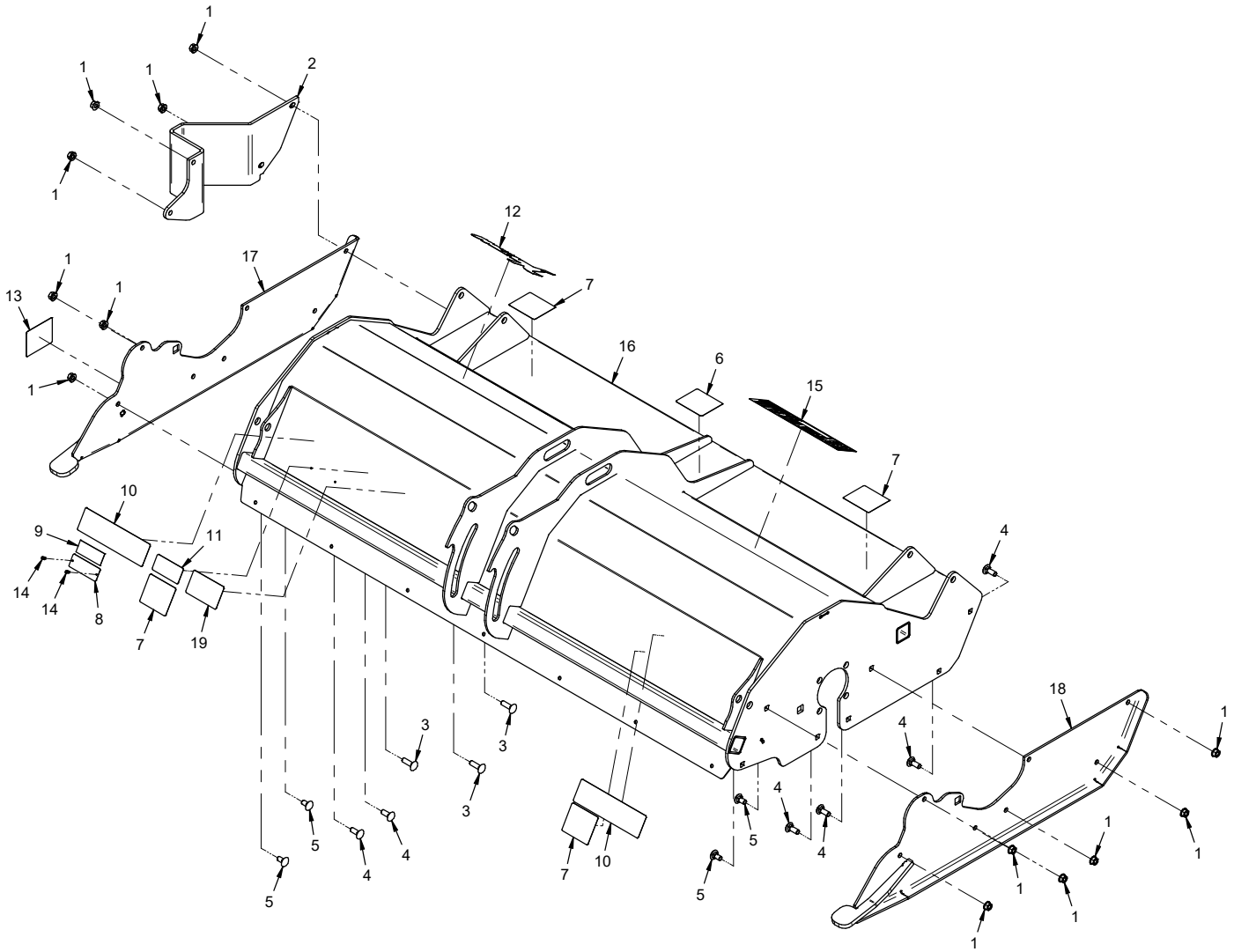
- If any component requires replacement, use only original Ventrac replacement parts.
- When ordering new components, be sure to order all required safety decals. All current safety decals must be affixed to the replacement components prior to installation of the component.

TABLE OF CONTENTS

| | |
|---|----------------|
| PARTS | PAGE 4 |
| Main Frame and End Skids | 4 |
| Front and Rear Deflector Belting | 6 |
| Carrier Frames, Wheels, and Rear Roller | 8 |
| Left Carrier Rockers and Adjustment Handle | 10 |
| Right Carrier Rockers and Adjustment Handle | 12 |
| Cross Frame and Oscillation Springs | 14 |
| Hitch Frame and Swivel Links | 16 |
| Gearbox and Drive Shaft | 18 |
| Rotor Belt Drive | 20 |
| Rotor with Scoop Knives | 22 |
| OPTIONS | PAGE 24 |
| 70.8224 Hydraulic Flip Up Kit | 24 |

PARTS

ILLUSTRATED DRAWING Main Frame and End Skids



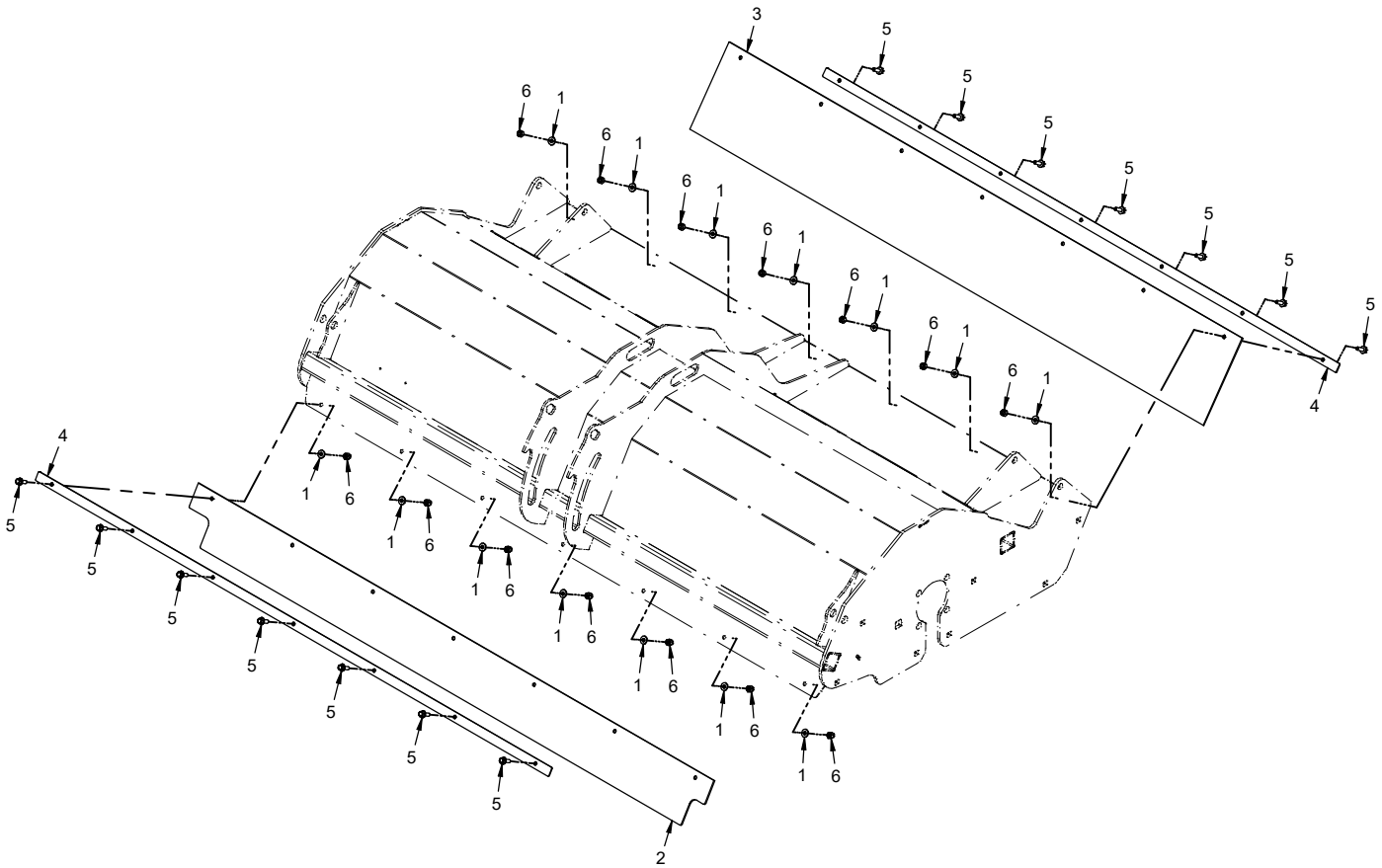
PARTS

Main Frame and End Skids

| REF. | PART NO. | DESCRIPTION | QTY. |
|------|----------|--------------------------------------|------|
| 1 | 99.SF06 | Nut, SRF 3/8-16 USS | 13 |
| 2 | MW-1256 | Guard, Brush Deflector | 1 |
| 3 | 97.0610 | Bolt, Carriage 3/8-16 x 1-1/4 | 3 |
| 4 | 97.0608 | Bolt, Carriage 3/8-16 x 1 | 6 |
| 5 | 97.0606 | Bolt, Carriage 3/8-16 x 3/4 | 4 |
| 6 | 00.0627 | Decal, Thrown Object Hazard | 1 |
| 7 | 00.0624 | Decal, Cutting Hazard Hands and Feet | 4 |
| 8 | N/A | Plate, Ventrac Serial Number | 1 |
| 9 | 00.0100 | Decal, Built in the USA | 1 |
| 10 | 00.0650 | Decal, Cut Height Position Key | 2 |
| 11 | 00.0619 | Decal, Read Operator's Manual | 1 |
| 12 | 00.0383 | Decal, Ventrac | 1 |
| 13 | 00.0625 | Decal, Shield Missing | 1 |
| 14 | 04.0003 | Rivet, Pop 1/8 X 3/8 SS | 2 |
| 15 | 00.0690 | Decal, MW562 | 1 |
| 16 | MW-6080 | Frame, Main Shroud MW560 | 1 |
| 17 | MW-6024 | Skid, Left Side | 1 |
| 18 | MW-6034 | Skid, Right Side | 1 |
| 19 | 00.0701 | Decal, Blade Missing/Rotor Imbalance | 1 |

PARTS

ILLUSTRATED DRAWING Front and Rear Deflector Belting



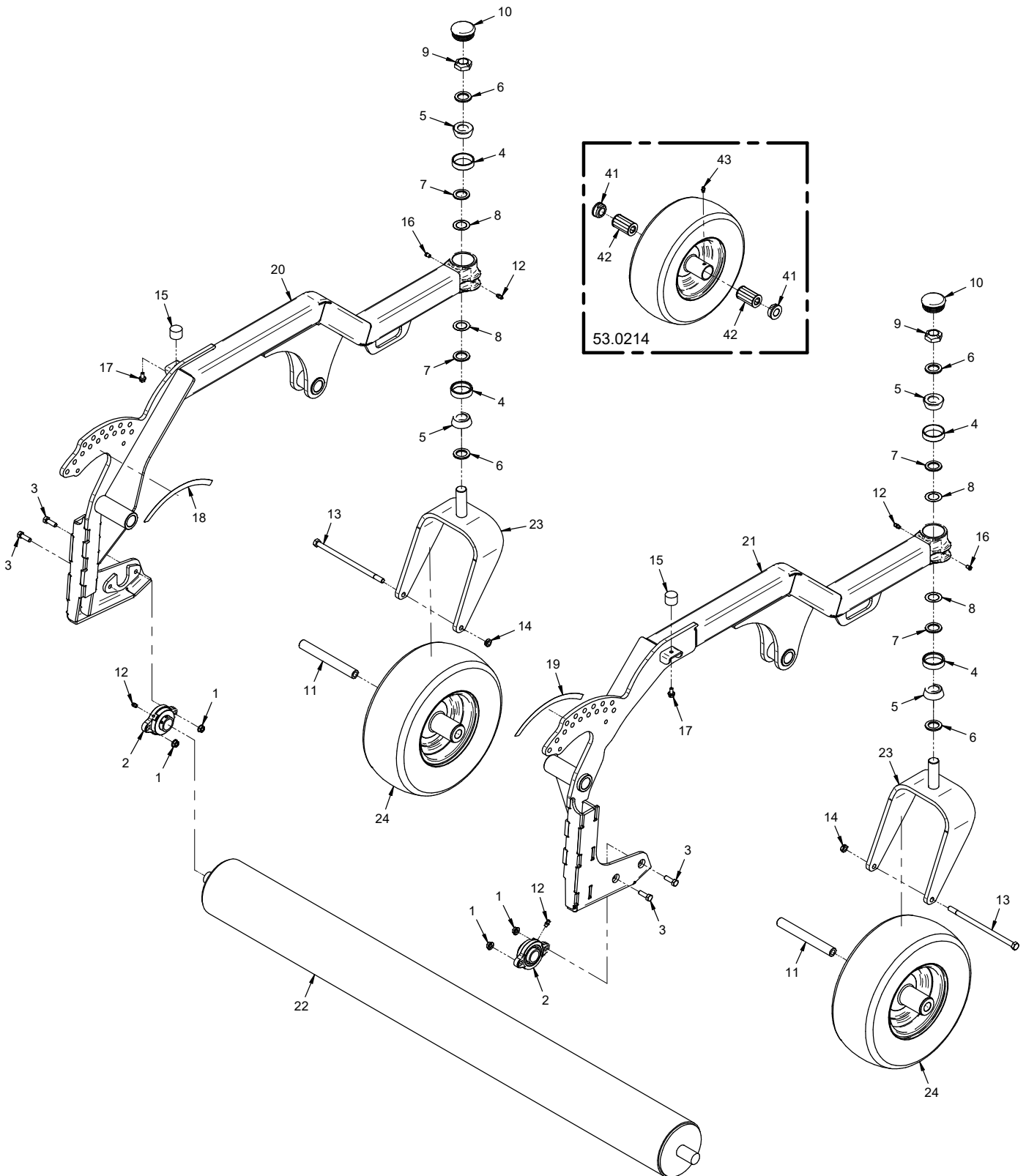
PARTS

Front and Rear Deflector Belting

| REF. | PART NO. | DESCRIPTION | QTY. |
|------|-------------|------------------------|------|
| 1 | 95.04 | Washer, Flat 1/4 SAE | 14 |
| 2 | MW-1305 | Belting, Rear MW560 | 1 |
| 3 | MW-1306 | Belting, Front MW560 | 1 |
| 4 | MW-1307 | Clamp, Belting MW560 | 2 |
| 5 | 99.SF0406-1 | Bolt, SMF 1/4-20 X 3/4 | 14 |
| 6 | 99.A04N | Locknut, Nylon 1/4-20 | 14 |

PARTS

ILLUSTRATED DRAWING Carrier Frames, Wheels, and Rear Roller



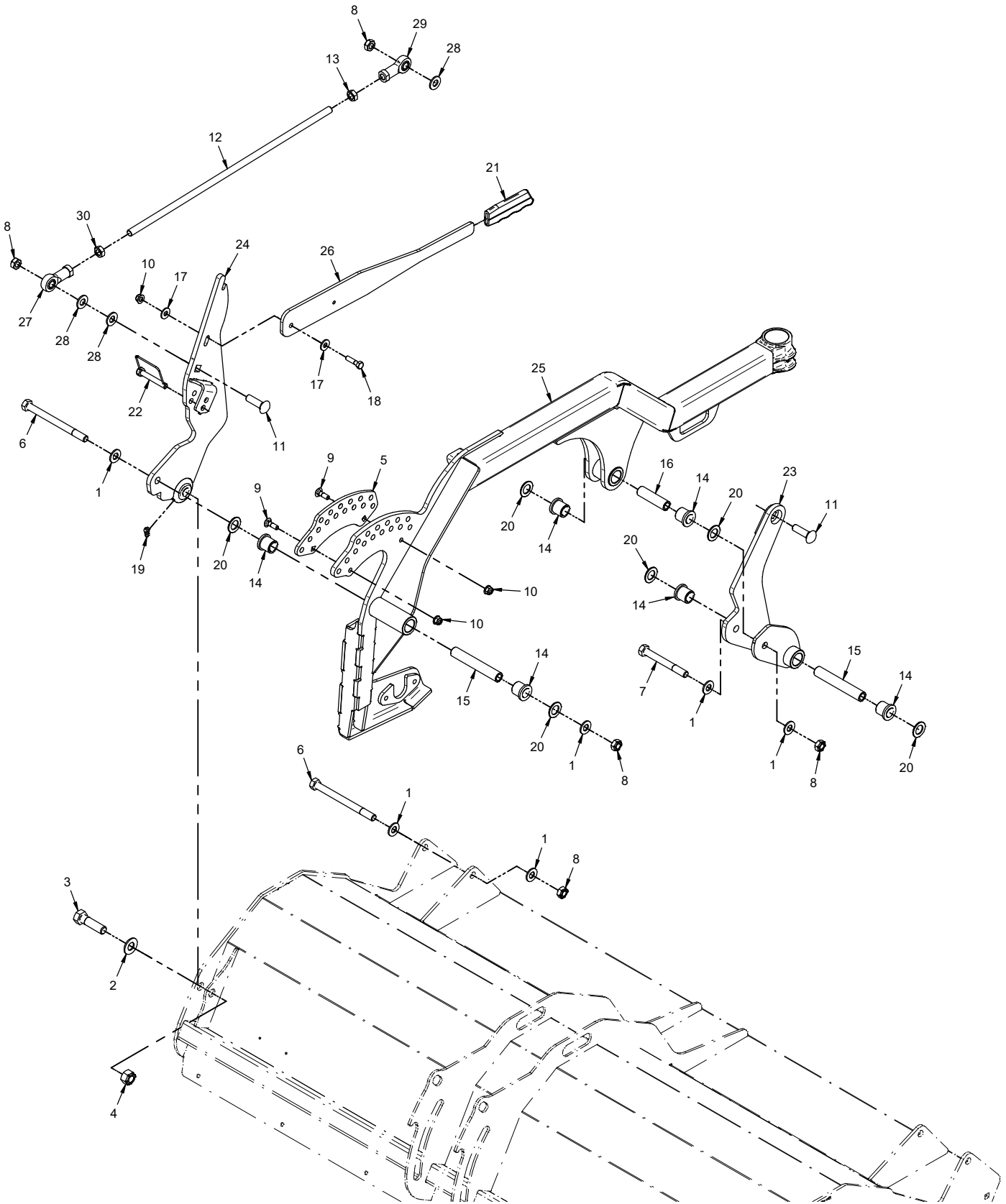
PARTS

Carrier Frames, Wheels, and Rear Roller

| REF. | PART NO. | DESCRIPTION | QTY. |
|------|---------------|------------------------------------|------|
| 1 | 99.SF05 | Nut, SRF 5/16-18 USS | 4 |
| 2 | 55.FB16016-2 | Bearing, 2 Bolt Flange 1" | 2 |
| 3 | 90.0508 | Bolt, 5/16-18 USS x 1 | 4 |
| 4 | 55.LM12710 | Bearing, Cup | 4 |
| 5 | 55.LM12749LA2 | Bearing, Taper Roller Cone | 4 |
| 6 | 99.B0119 | Washer, Mach 7/8 x 1-3/8 x 10 GA | 4 |
| 7 | 85.B0099 | Bushing, .875ID x 1.375OD x .120T | 4 |
| 8 | 85.B0101 | Bushing, .005 Spacer | 4 |
| 9 | 99.M0047 | Locknut, Stover M22 x 1.5 ZP | 2 |
| 10 | 05.0172 | Plug, Ribbed Black LDPE | 2 |
| 11 | 50.0050 | Tube, Swivel Axle | 2 |
| 12 | 29.GF0001 | Grease Ftg, 1/4 SAE ST | 4 |
| 13 | 90.0660 | Bolt, 3/8-16 USS x 7-1/2 | 2 |
| 14 | 99.A06C | Locknut, Center 3/8-16 | 2 |
| 15 | 05.0125 | Bumper, Neoprene 1" Dia | 2 |
| 16 | 29.GF0011 | Grease Ftg, Plug 1/4-28 | 2 |
| 17 | 99.SF0404-1 | Bolt, SMF 1/4-20 X 1/2 | 2 |
| 18 | 00.0648 | Decal, Height Adjust Left | 1 |
| 19 | 00.0649 | Decal, Height Adjust Right | 1 |
| 20 | MW-6052 | Frame, Carrier Left | 1 |
| 21 | MW-6053 | Frame, Carrier Right | 1 |
| 22 | MW-6002 | Roller, Rear MW560 | 1 |
| 23 | 50.0195 | Yoke, Caster 13" Wheel | 2 |
| 24 | 53.0214 | Wheel, Asm 13 x 5 x 6 Rib Flatfree | 2 |
| 41 | 55.0114 | Retainer, Roller Bearing 3/4" | 2 |
| 42 | 55.0116 | Bearing, Roller 2.25" Long | 2 |
| 43 | 29.GF0001 | Grease Ftg, 1/4 SAE ST | 1 |

PARTS

ILLUSTRATED DRAWING Left Carrier Rockers and Adjustment Handle



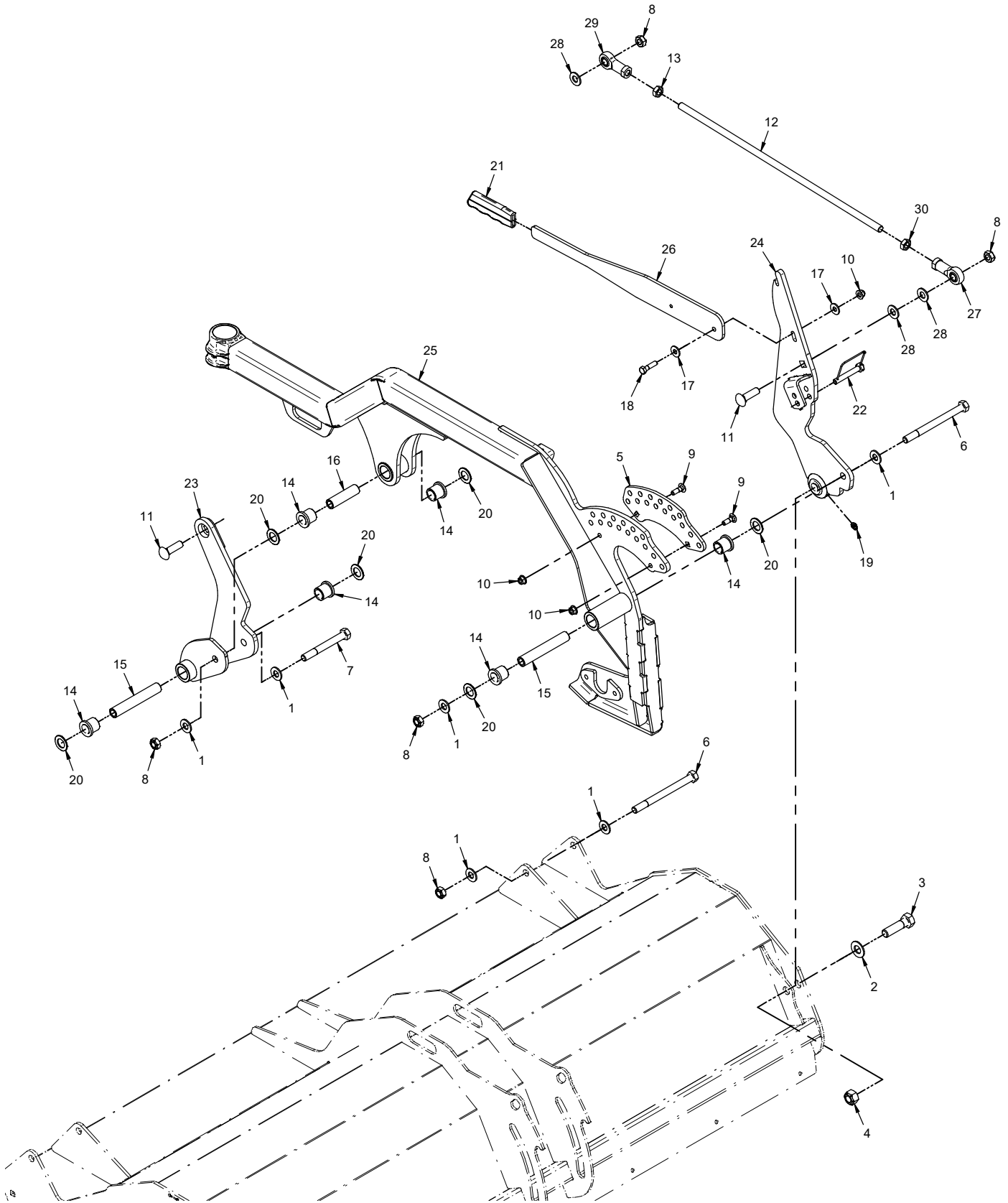
PARTS

Left Carrier Rockers and Adjustment Handle

| REF. | PART NO. | DESCRIPTION | QTY. |
|------|-----------|-------------------------------------|------|
| 1 | 95.08 | .Washer, Flat 1/2 SAE | 6 |
| 2 | 95.10 | .Washer, Flat 5/8 SAE | 1 |
| 3 | 90.1018 | .Bolt, 5/8-11 USS x 2-1/4 | 1 |
| 4 | 99.A10 | .Locknut, Stover 5/8-11 USS | 1 |
| 5 | MW-1204 | .Plate, Height Adjust Setting | 1 |
| 6 | 90.0848 | .Bolt, 1/2-13 USS x 6 | 2 |
| 7 | 90.0834 | .Bolt, 1/2-13 USS x 4-1/4 | 1 |
| 8 | 99.A08 | .Locknut, Stover 1/2-13 USS | 5 |
| 9 | 97.0508 | .Bolt, Carriage 5/16-18 x 1 | 2 |
| 10 | 99.E0102 | .Nut, Locking Flange 5/16-18 | 3 |
| 11 | 97.0814 | .Bolt, Carriage 1/2-13 x 1-3/4 | 2 |
| 12 | 42.0602 | .Rod, Thread 1/2-20 x 21.0 RH/LH ZP | 1 |
| 13 | 99.E0080 | .Nut, Jam 1/2-20 LH ZP | 1 |
| 14 | 85.B0077 | .Bushing, 3/4 ID X 1 OD X 1 | 6 |
| 15 | MK-1150 | .Bushing, Pivot Clamp | 2 |
| 16 | MK-1146 | .Bushing, Rocker Pivot | 1 |
| 17 | 94.05 | .Washer, Flat 5/16 USS | 2 |
| 18 | 90.0510 | .Bolt, 5/16-18 USS x 1-1/4 | 1 |
| 19 | 29.GF0003 | .Grease Ftg, 1/4 SAE 45 | 1 |
| 20 | 99.B0089 | .Washer, Mach 3/4 x 1-1/4 14 GA | 6 |
| 21 | 47.0086 | .Grip, Slip-On Handle - Black | 1 |
| 22 | 03.0003 | .Pin, Safety Snap 3/8 X 2-1/2" | 1 |
| 23 | MW-6046 | .Rocker, Carrier Front Left | 1 |
| 24 | MW-6045 | .Rocker, Carrier Rear Left | 1 |
| 25 | MW-6052 | .Frame, Carrier Left | 1 |
| 26 | MW-6068 | .Lever, Height Adjust Left | 1 |
| 27 | 43.008 | .Rod End, 1/2 Spherical | 1 |
| 28 | 95.08-8 | .Washer, Flat 1/2 SAE Gr8 | 3 |
| 29 | 43.008L | .Rod End, 1/2 Spherical LH Thrd | 1 |
| 30 | 99.E0079 | .Nut, Jam 1/2-20 RH ZP | 1 |

PARTS

ILLUSTRATED DRAWING Right Carrier Rockers and Adjustment Handle



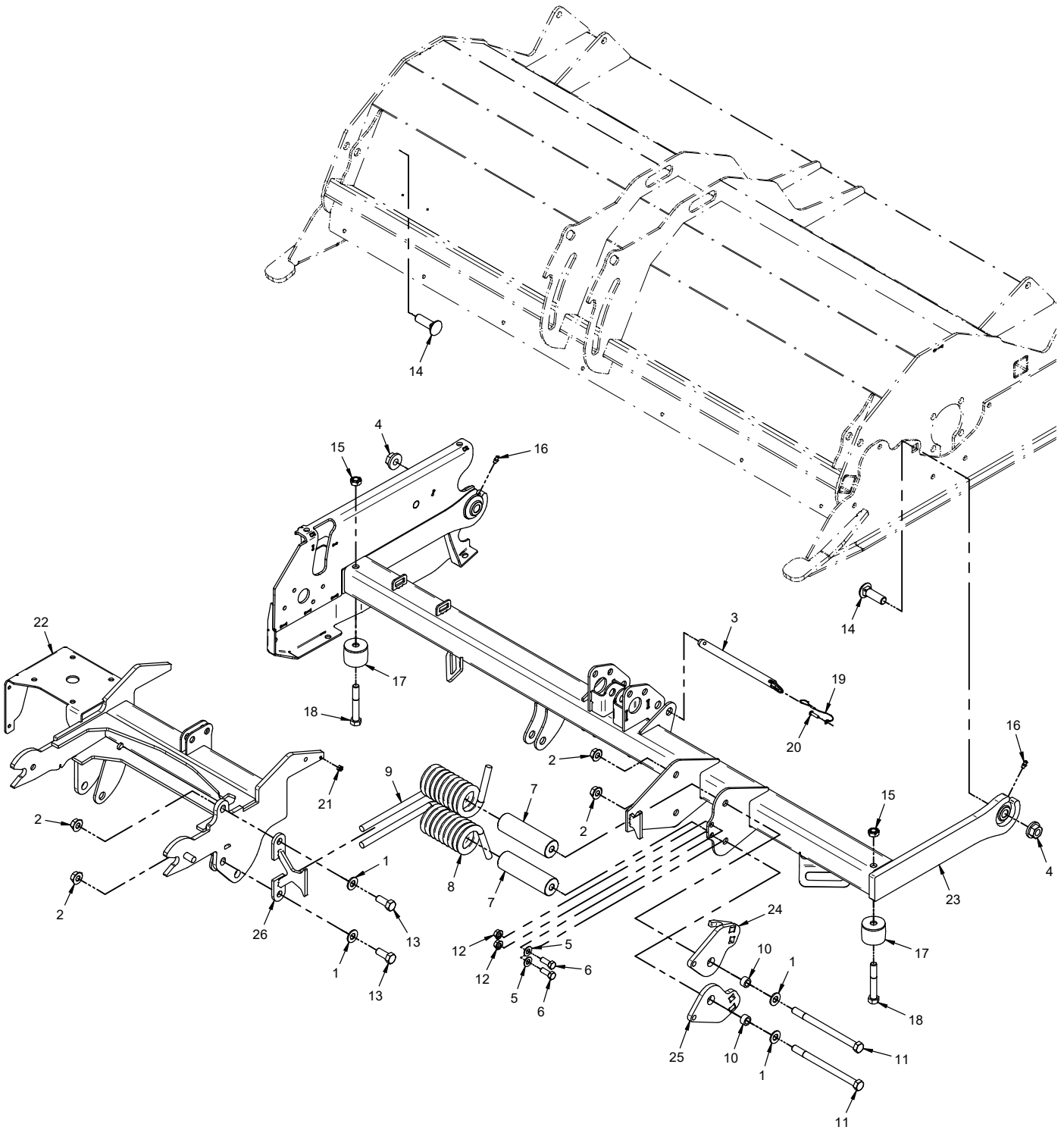
PARTS

Right Carrier Rockers and Adjustment Handle

| REF. | PART NO. | DESCRIPTION | QTY. |
|------|-----------|-------------------------------------|------|
| 1 | 95.08 | .Washer, Flat 1/2 SAE | 6 |
| 2 | 95.10 | .Washer, Flat 5/8 SAE | 1 |
| 3 | 90.1018 | .Bolt, 5/8-11 USS x 2-1/4 | 1 |
| 4 | 99.A10 | .Locknut, Stover 5/8-11 USS | 1 |
| 5 | MW-1204 | .Plate, Height Adjust Setting | 1 |
| 6 | 90.0848 | .Bolt, 1/2-13 USS x 6 | 2 |
| 7 | 90.0834 | .Bolt, 1/2-13 USS x 4-1/4 | 1 |
| 8 | 99.A08 | .Locknut, Stover 1/2-13 USS | 5 |
| 9 | 97.0508 | .Bolt, Carriage 5/16-18 x 1 | 2 |
| 10 | 99.E0102 | .Nut, Locking Flange 5/16-18 | 3 |
| 11 | 97.0814 | .Bolt, Carriage 1/2-13 x 1-3/4 | 2 |
| 12 | 42.0602 | .Rod, Thread 1/2-20 x 21.0 RH/LH ZP | 1 |
| 13 | 99.E0080 | .Nut, Jam 1/2-20 LH ZP | 1 |
| 14 | 85.B0077 | .Bushing, 3/4 ID X 1 OD X 1 | 6 |
| 15 | MK-1150 | .Bushing, Pivot Clamp | 2 |
| 16 | MK-1146 | .Bushing, Rocker Pivot | 1 |
| 17 | 94.05 | .Washer, Flat 5/16 USS | 2 |
| 18 | 90.0510 | .Bolt, 5/16-18 USS x 1-1/4 | 1 |
| 19 | 29.GF0003 | .Grease Ftg, 1/4 SAE 45 | 1 |
| 20 | 99.B0089 | .Washer, Mach 3/4 x 1-1/4 14 GA | 6 |
| 21 | 47.0086 | .Grip, Slip-On Handle - Black | 1 |
| 22 | 03.0003 | .Pin, Safety Snap 3/8 X 2-1/2" | 1 |
| 23 | MW-6043 | .Rocker, Carrier Front Right | 1 |
| 24 | MW-6044 | .Rocker, Carrier Rear Right | 1 |
| 25 | MW-6053 | .Frame, Carrier Right | 1 |
| 26 | MW-6067 | .Lever, Height Adjust Right | 1 |
| 27 | 43.008 | .Rod End, 1/2 Spherical | 1 |
| 28 | 95.08-8 | .Washer, Flat 1/2 SAE Gr8 | 3 |
| 29 | 43.008L | .Rod End, 1/2 Spherical LH Thrd | 1 |
| 30 | 99.E0079 | .Nut, Jam 1/2-20 RH ZP | 1 |

PARTS

ILLUSTRATED DRAWING Cross Frame and Oscillation Springs



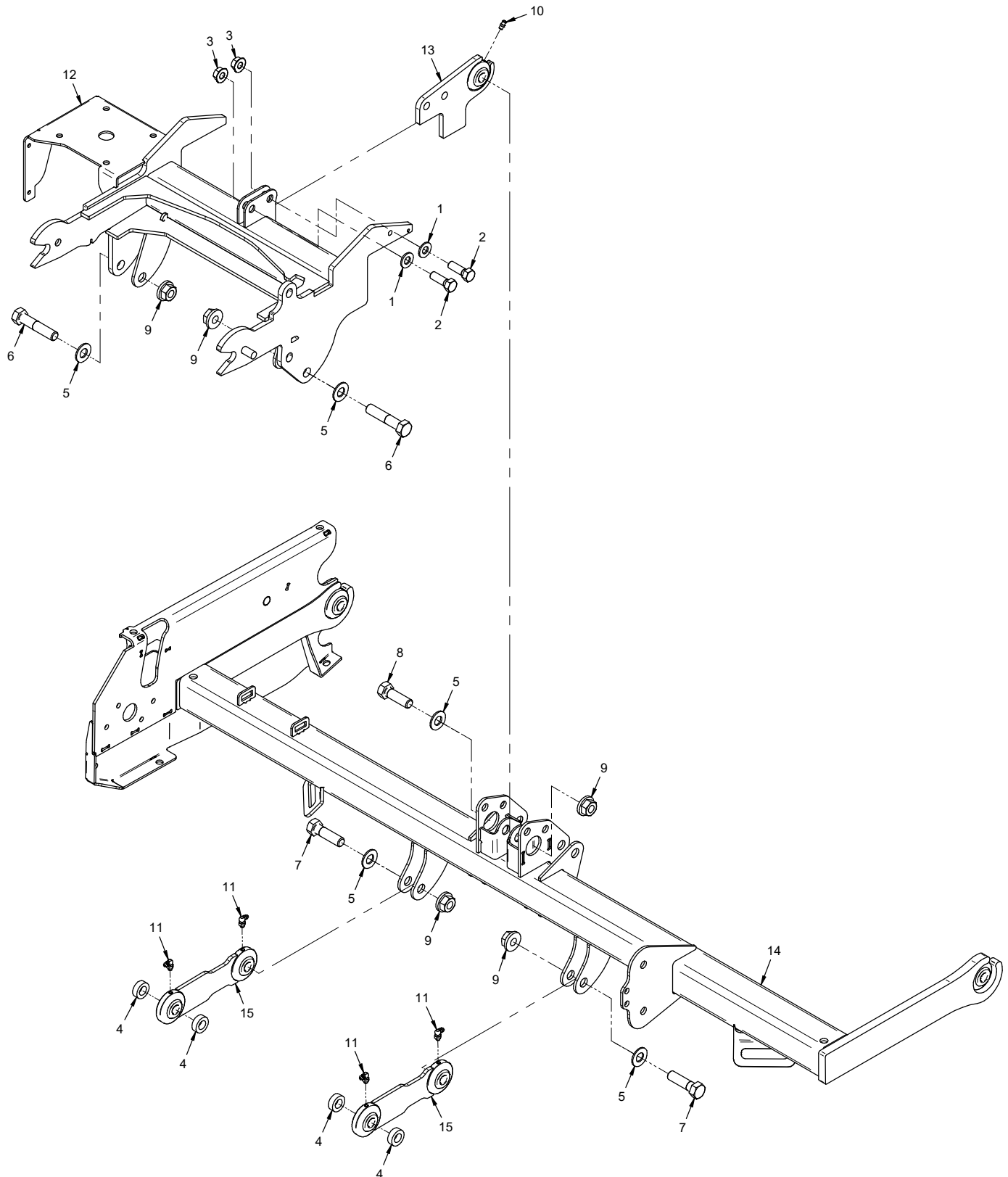
PARTS

Cross Frame and Oscillation Springs

| REF. | PART NO. | DESCRIPTION | QTY. |
|------|-----------|--------------------------------------|------|
| 1 | 95.08 | Washer, Flat 1/2 SAE | 4 |
| 2 | 99.SF08 | Nut, SRF 1/2-13 USS | 4 |
| 3 | 03.0041 | Pin, Ball 5/8" OD x 7" Useable | 1 |
| 4 | 99.E0094 | Locknut, 5/8-11 Flanged Stover | 2 |
| 5 | 95.06 | Washer, Flat 3/8 SAE | 2 |
| 6 | 90.0608 | Bolt, 3/8-16 USS x 1 | 2 |
| 7 | 64.2033 | Bushing, UHMW 1/2" x 1-1/2" x 5-1/4" | 2 |
| 8 | 41.0139 | Spring, Torsion LH MW | 1 |
| 9 | 41.0140 | Spring, Torsion RH MW | 1 |
| 10 | 64.2019 | Bushing, .510 X .750 X .438" L | 2 |
| 11 | 90.0856 | Bolt, 1/2-13 USS x 7 | 2 |
| 12 | 99.SF06 | Nut, SRF 3/8-16 USS | 2 |
| 13 | 90.0810 | Bolt, 1/2-13 USS x 1-1/4 | 2 |
| 14 | 97.1016 | Bolt, Carriage 5/8-11 x 2 Gr5 | 2 |
| 15 | 99.A08 | Locknut, Stover 1/2-13 USS | 2 |
| 16 | 29.GF0001 | Grease Ftg, 1/4 SAE ST | 2 |
| 17 | 05.0194 | Bumper, Axial 1,400 Lbs PF | 2 |
| 18 | 90.0826 | Bolt, 1/2-13 USS x 3-1/4 | 2 |
| 19 | 45.0061 | Lanyard, 3/64 x 6" SS | 1 |
| 20 | 99.K0163 | Machine Screw, #10-32 x 3/4 SS | 1 |
| 21 | 99.A1032N | Locknut, Nylon 10-32 Stainless | 1 |
| 22 | MW-6027 | Frame, Hitch | 1 |
| 23 | MW-6084 | Frame, Cross MW560 | 1 |
| 24 | MW-6047 | Retainer, Spring Latch Upper | 1 |
| 25 | MW-6048 | Retainer, Spring Latch Lower | 1 |
| 26 | MW-6056 | Bracket, Spring Hook | 1 |

PARTS

ILLUSTRATED DRAWING Hitch Frame and Swivel Links



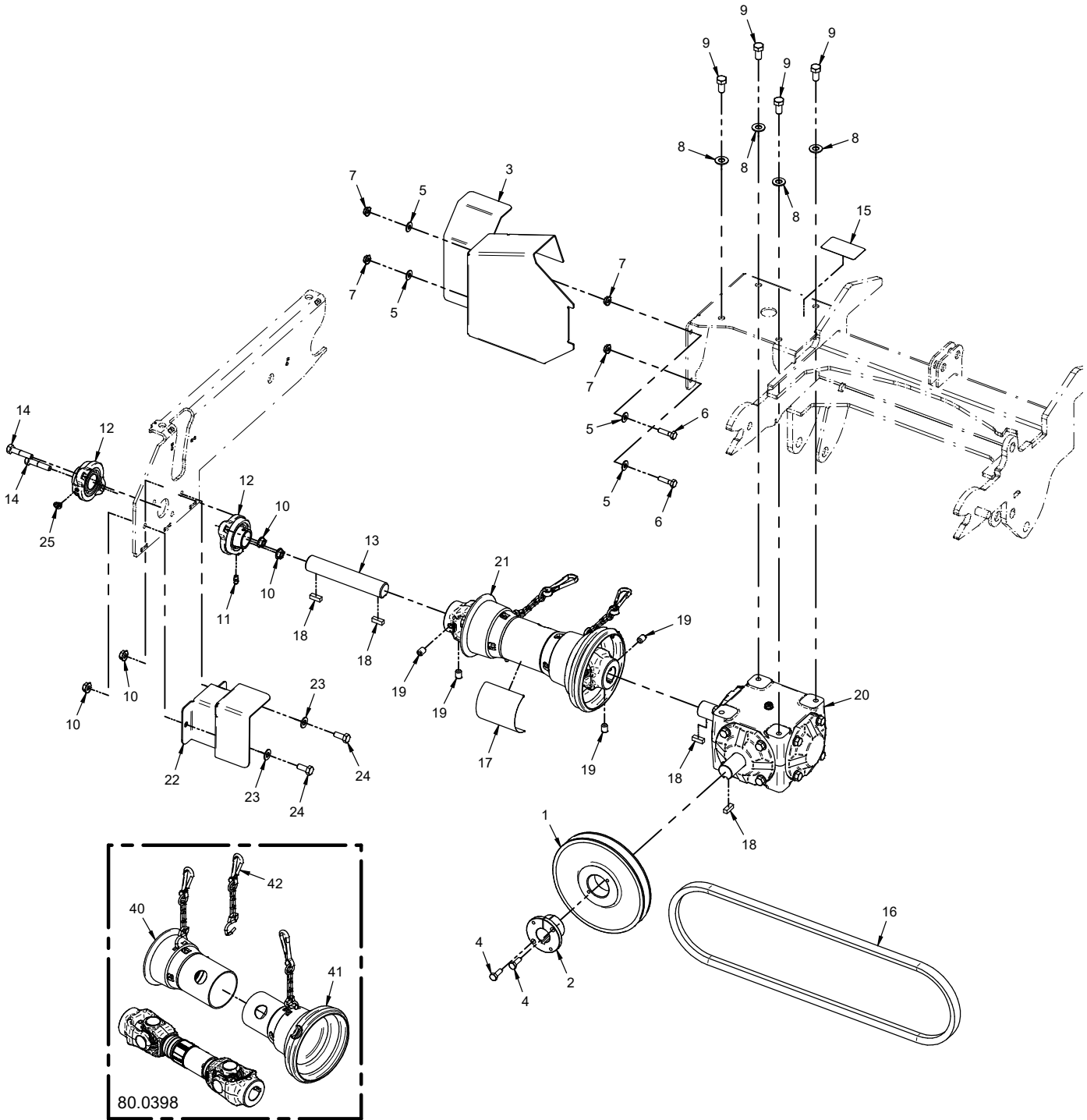
PARTS

Hitch Frame and Swivel Links

| REF. | PART NO. | DESCRIPTION | QTY. |
|------|-----------|-----------------------------------|------|
| 1 | 95.08 | Washer, Flat 1/2 SAE | 2 |
| 2 | 90.0812 | Bolt, 1/2-13 USS x 1-1/2 | 2 |
| 3 | 99.SF08 | Nut, SRF 1/2-13 USS | 2 |
| 4 | 64.2020 | Bushing, .635" x 1.125" x .375" L | 4 |
| 5 | 95.10 | Washer, Flat 5/8 SAE | 5 |
| 6 | 90.1024 | Bolt, 5/8-11 USS x 3 | 2 |
| 7 | 90.1018 | Bolt, 5/8-11 USS x 2-1/4 | 2 |
| 8 | 90.1016 | Bolt, 5/8-11 USS x 2 | 1 |
| 9 | 99.E0094 | Locknut, 5/8-11 Flanged Stover | 5 |
| 10 | 29.GF0001 | Grease Ftg, 1/4 SAE ST | 1 |
| 11 | 29.GF0002 | Grease Ftg, 1/4 SAE 90 | 4 |
| 12 | MW-6027 | Frame, Hitch | 1 |
| 13 | MW-6041 | Link, Upper Hitch Swivel MW560 | 1 |
| 14 | MW-6084 | Frame, Cross MW560 | 1 |
| 15 | ND-6004 | Link, Upper Pivot | 2 |

PARTS

ILLUSTRATED DRAWING Gearbox and Drive Shaft



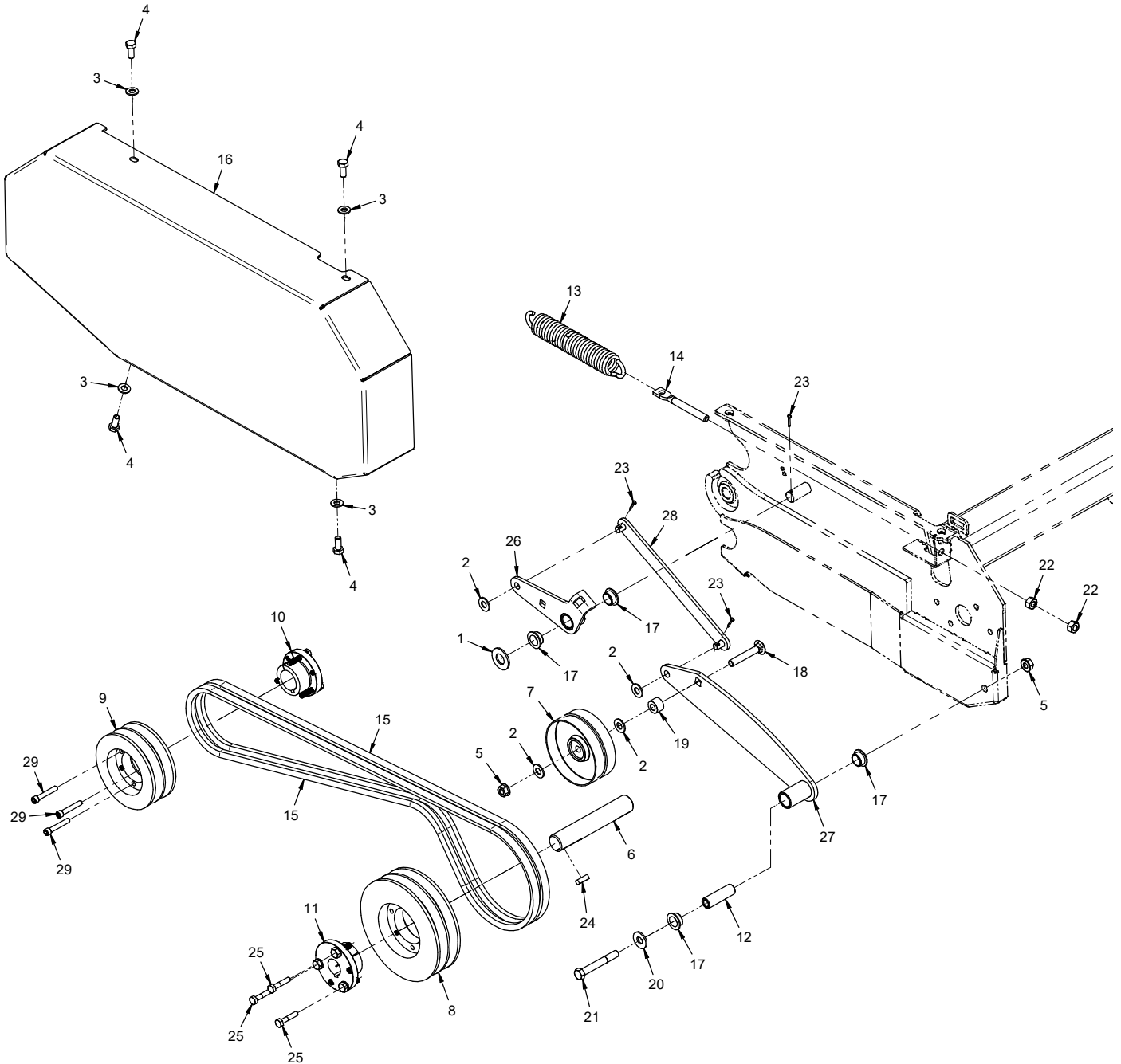
PARTS

Gearbox and Drive Shaft

| REF. | PART NO. | DESCRIPTION | QTY. |
|------|--------------|----------------------------------|------|
| 1 | 83.BK70H | Pulley, 7" H-Bushing | 1 |
| 2 | 83.H16S | Bushing, 1" Split 1/4" Key | 1 |
| 3 | MW-1243 | Shield, Drive Pulley | 1 |
| 4 | 90.0406 | Bolt, 1/4-20 USS x 3/4" | 2 |
| 5 | 95.04 | Washer, Flat 1/4 SAE | 4 |
| 6 | 90.0408 | Bolt, 1/4-20 USS x 1" | 2 |
| 7 | 99.SF04 | Nut, SRF 1/4-20 USS | 4 |
| 8 | 95.06 | Washer, Flat 3/8 SAE | 4 |
| 9 | 90.0606 | Bolt, 3/8-16 USS x 3/4" | 4 |
| 10 | 99.SF05 | Nut, SRF 5/16-18 USS | 4 |
| 11 | 29.GF0001 | Grease Ftg, 1/4 SAE ST | 1 |
| 12 | 55.FB16016-1 | Bearing, Flange Block 1" | 2 |
| 13 | MW-1066 | Shaft, 1" x 5-5/8" | 1 |
| 14 | 90.0512 | Bolt, 5/16-18 USS x 1-1/2" | 2 |
| 15 | 00.0631 | Decal, Finger/Hand Entanglement | 1 |
| 16 | 81.B049 | Belt, B49 | 1 |
| 17 | 00.0661 | Decal, Entanglement Hazard Shaft | 1 |
| 18 | 85.K0406 | Key, 1/4 X 3/4 | 4 |
| 19 | 85.SS02 | Set Screw, 3/8-16 x 1/2" | 4 |
| 20 | 87.0260 | Gearbox, 1" Shaft 1.5:1 CW/CW | 1 |
| 21 | 80.0398 | Shaft, Drive Telescoping MW 56" | 1 |
| 22 | MW-6057 | Cover, Drive Shaft End | 1 |
| 23 | 95.05 | Washer, Flat 5/16 SAE | 2 |
| 24 | 90.0506 | Bolt, 5/16-18 USS x 3/4" | 2 |
| 25 | 29.GF0003 | Grease Ftg, 1/4 SAE 45 | 1 |
| 40 | 47.0496 | Guard, Outer - Drive Shaft 560 | 1 |
| 41 | 47.0495 | Guard, Inner - Drive Shaft 560 | 1 |
| 42 | 81.0190 | Chain, Drive Shaft Guard | 2 |

PARTS

ILLUSTRATED DRAWING Rotor Belt Drive



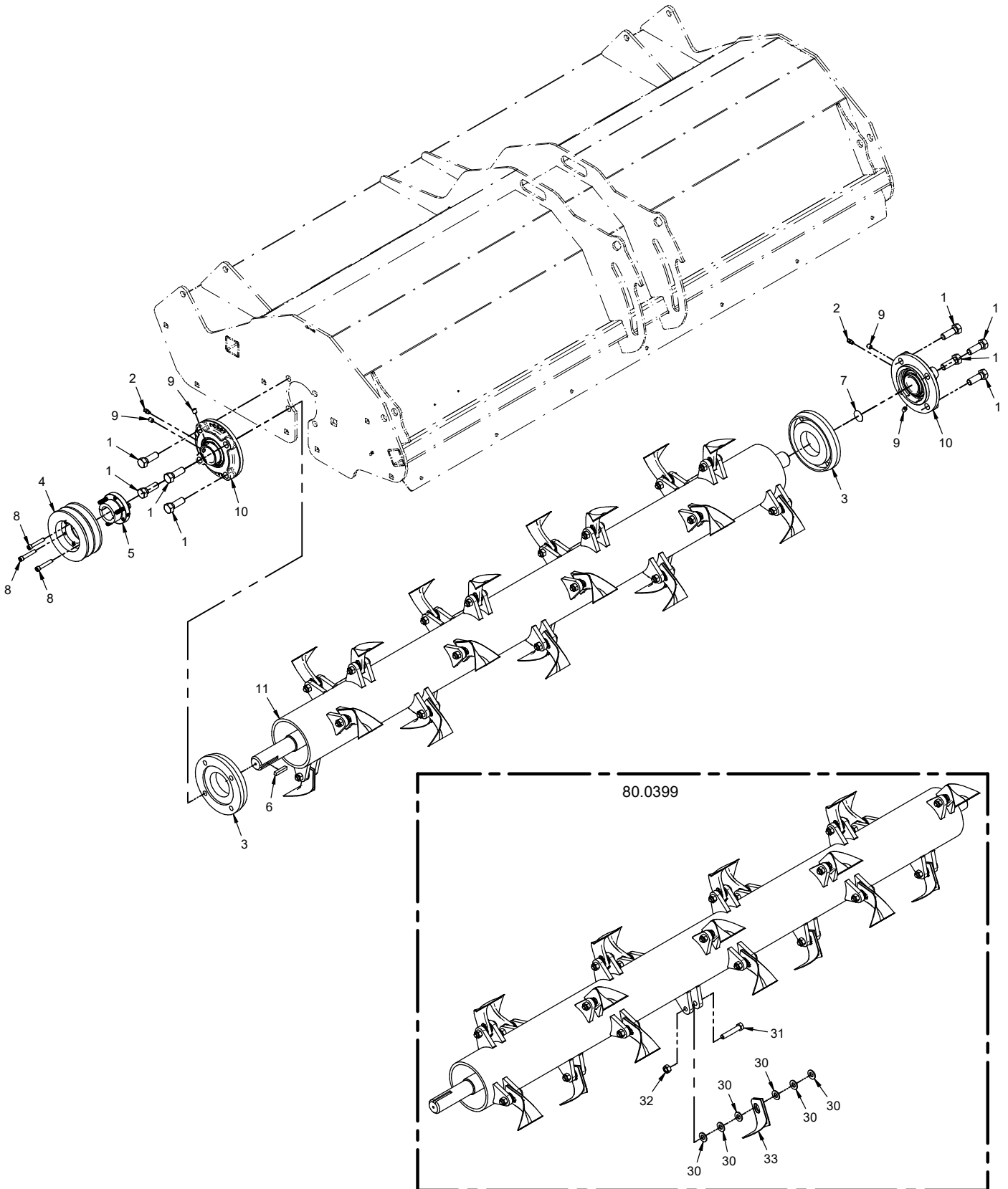
PARTS

Rotor Belt Drive

| REF. | PART NO. | DESCRIPTION | QTY. |
|------|------------|----------------------------------|------|
| 1 | 95.10 | .Washer, Flat 5/8 SAE | 1 |
| 2 | 95.06 | .Washer, Flat 3/8 SAE | 4 |
| 3 | 95.05 | .Washer, Flat 5/16 SAE | 4 |
| 4 | 90.0506 | .Bolt, 5/16-18 USS x 3/4" | 4 |
| 5 | 99.SF06 | .Nut, SRF 3/8-16 USS | 2 |
| 6 | MW-1066 | .Shaft, 1" x 5-5/8" | 1 |
| 7 | 83.0042 | .Pulley, Dbl Idler Flat 4 X 3/8 | 1 |
| 8 | 83.2B58SDS | .Pulley, 2B 5.8" 2 Groove | 1 |
| 9 | 83.2B42SH | .Pulley, 2B 4.2" 2 Groove | 1 |
| 10 | 83.SH20 | .Bushing, 1.25" SH | 1 |
| 11 | 83.SDS16 | .Bushing, 1" SDS | 1 |
| 12 | MW-1277 | .Bushing, .385" x .625" x 2" L. | 1 |
| 13 | 41.0138 | .Spring, Ext. 1.275 OD x 7-437 L | 1 |
| 14 | 99.K0094 | .Bolt, Hanger 3/8-16 X 4 | 1 |
| 15 | 81.A059 | .Belt, A59 | 2 |
| 16 | MW-1147 | .Cover, Rotor Belt | 1 |
| 17 | 85.B0111 | .Bushing, 5/8 ID x 3/4 OD x 3/8 | 4 |
| 18 | 97.0618 | .Bolt, Carriage 3/8 x 2 1/4 | 1 |
| 19 | 64.2037 | .Spacer, .380" x .750" x .500" | 1 |
| 20 | 94.06 | .Washer, Flat 3/8 USS | 1 |
| 21 | 90.0622 | .Bolt, 3/8-16 USS x 2-3/4 | 1 |
| 22 | 92.06 | .Nut, 3/8-16 USS | 2 |
| 23 | 02.CP0306 | .Cotter Pin, 3/32 X 3/4 | 3 |
| 24 | 85.K0406 | .Key, 1/4 X 3/4 | 1 |
| 25 | 90.0410 | .Bolt, 1/4-20 USS x 1/1-4" | 3 |
| 26 | MW-6069 | .Idler Arm, Belt Tension | 1 |
| 27 | MW-6065 | .Link, Belt Tension Lower | 1 |
| 28 | MW-6066 | .Link, Belt Tension Upper | 1 |
| 29 | 99.K0180 | .Bolt, SHCS 1/4-20 x 1-1/2 | 3 |

PARTS

ILLUSTRATED DRAWING Rotor with Scoop Knives



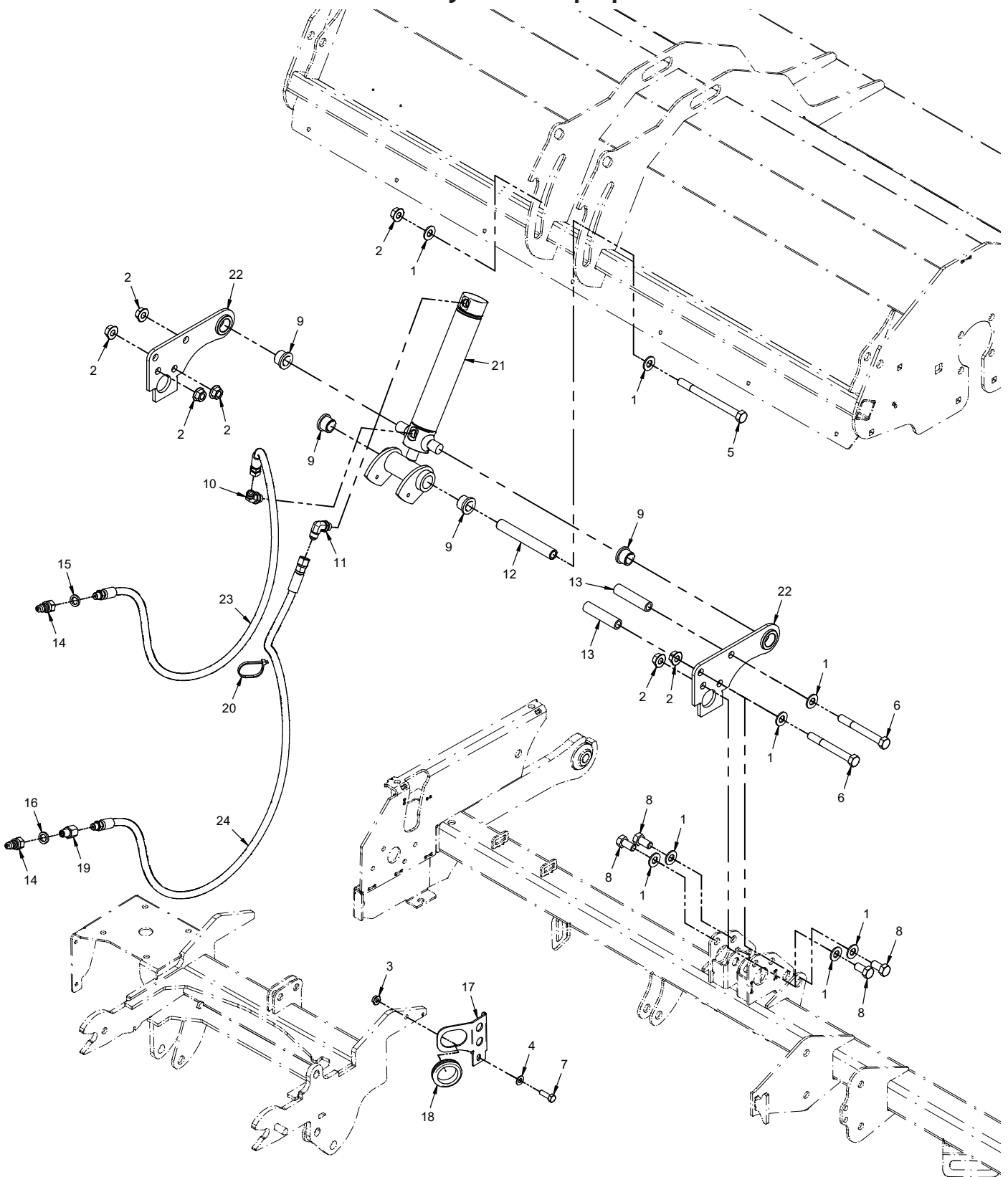
PARTS

Rotor with Scoop Knives

| REF. | PART NO. | DESCRIPTION | QTY. |
|------|-------------|------------------------------------|------|
| 1 | 90.0812 | Bolt, 1/2-13 USS x 1-1/2 | 8 |
| 2 | 29.GF0001 | Grease Ftg, 1/4 SAE ST | 2 |
| 3 | MW-1214 | Cap, Flail Rotor End | 2 |
| 4 | 83.2B42SH | Pulley, 2B 4.2" 2 Groove | 1 |
| 5 | 83.SH20 | Bushing, 1.25" SH | 1 |
| 6 | 85.K0410 | Key, 1/4 X 1-1/4 | 1 |
| 7 | 00.0663 | Decal, Shaft Rotation Indicator | 1 |
| 8 | 99.K0180 | Bolt, SHCS 1/4-20 x 1-1/2 | 3 |
| 9 | 85.SS18 | Set Screw, 5/16-18 x 3/8 | 4 |
| 10 | 55.FB22020P | Bearing, Flange 1-1/4" Piloted | 2 |
| 11 | 80.0399 | Rotor, 56" Flail with Scoop Knives | 1 |
| 30 | 95.06-8 | Washer, Flat 3/8 SAE GR8 | 144 |
| 31 | 90.0616-8 | Bolt, 3/8-16 USS x 2 GR8 | 24 |
| 32 | 99.A06-8 | Locknut, Stover 3/8-16 USS GR8 | 24 |
| 33 | 79.0123 | Knife, Scoop | 24 |

OPTIONS

ILLUSTRATED DRAWING 70.8224 Hydraulic Flip Up Kit



OPTIONS

70.8224 Hydraulic Flip Up Kit

| REF. | PART NO. | DESCRIPTION | QTY. |
|------|---------------|---|------|
| 1 | 95.08 | Washer, Flat 1/2 SAE | 8 |
| 2 | 99.SF08 | Nut, SRF 1/2-13 USS | 7 |
| 3 | 99.SF05 | Nut, SRF 5/16-18 USS | 1 |
| 4 | 95.05 | Washer, Flat 5/16 SAE | 1 |
| 5 | 90.0848 | Bolt, 1/2-13 USS x 6 | 1 |
| 6 | 90.0834 | Bolt, 1/2-13 USS x 4-1/4 | 2 |
| 7 | 90.0508 | Bolt, 5/16-18 USS x 1 | 1 |
| 8 | 90.0808 | Bolt, 1/2-13 USS x 1 | 4 |
| 9 | 85.B0077 | Bushing, 3/4 ID x 1" OD x 1 | 4 |
| 10 | 25.6802-06-06 | Fitting, 45 ME 3/8 x 3/8 | 1 |
| 11 | 25.6801-06-06 | Fitting, 90 ME 3/8 x 3/8 | 1 |
| 12 | 64.2022 | Bushing, .588" x .75" x 5.313" L Aluminum | 1 |
| 13 | 64.2021 | Spacer, .510" x .75" x 3.125" L | 2 |
| 14 | 23.0104 | Coupler, Quick Male 1/4 | 2 |
| 15 | 05.0117 | Washer, .544 ID x .817 x .14 Yel. | 1 |
| 16 | 05.0116 | Washer, .544 ID x .817 x .14 Red | 1 |
| 17 | MW-1321 | Bracket, Hose | 1 |
| 18 | 05.0178 | Grommet, 1-1/2 ID, 2-1/8 OD, 1/2" Thk | 1 |
| 19 | 29.0092 | Fitting, .025 Orifice 1/4 Pipe | 1 |
| 20 | 30.0037 | Tyton Tie, #50 .18 x 8 Black | 1 |
| 21 | 23.0204 | Cylinder, 1-1/2" X 8" | 1 |
| 22 | MW-6051 | Bracket, Flip Up | 2 |
| 23 | 20.0185 | Hose, 1/4x48.00 SAE 100R17 AR | 1 |
| 24 | 20.0185 | Hose, 1/4x48.00 SAE 100R17 AR | 1 |